



Made to last



Collection 2024

For the 2024 collection, we have carefully curated the most beautiful designs made by Danish designers, where quality takes priority over quantity. We strive to create aesthetic synergy between materials, shape, colours, and function. The perfect contemporary design is often born by looking into the past, and forward into the future, and using what is good quality and long-lasting.

We want to encourage making more conscious decisions and choosing designs that you will value and keep for many years to come. This does not mean, however, that we are disregarding current design trends.

On the contrary, we want to embrace them and integrate them in a way that fits in with our designs.

Beautiful and well-made designs are what has brought Design For The People to where we are today. Our cooperation with talented and passionate designers and our drive throughout the whole design process is crucial for us to stay focused on crafting excellent design.

This year, the designers have created new, beautiful designs and additions for some of our well-known series – all in high-quality materials that will never go out of style. At the heart of the collection lies a commitment to ensuring that every item reflects our dedication to both craftsmanship and longevity.

We proudly present our 2024 collection.

Lone Bødker

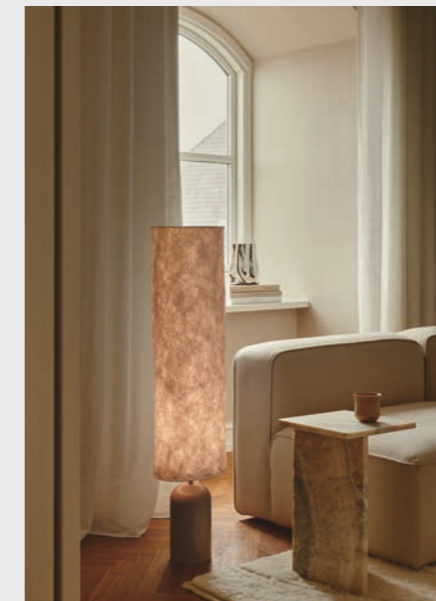
Lone Bødker
Product manager



Hill p. 10



Faye p. 42



Talli p. 14



Versale p. 24

Navone p. 72

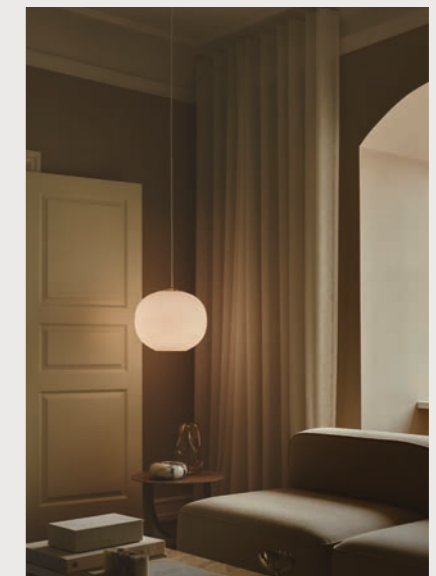


Table of contents

08	<i>Asger Risborg Jakobsen</i>	76	<i>Families</i>
12	<i>Anker Studio</i>	110	<i>Pendants</i>
28	<i>Bjørn+Balle</i>	122	<i>Table lamps</i>
34	<i>Bønnelycke MDD</i>	128	<i>Wall lamps</i>
40	<i>Charlotte Høncke</i>	132	<i>Floor lamps</i>
54	<i>Maria Berntsen</i>	136	<i>Ceiling lamps</i>
64	<i>Sofie Lefèvre</i>	140	<i>Product index</i>

*Designers
Journal*



“I believe that instead of making trendy objects we should try to make objects that outlive trends”



Asger Risborg Jakobsen
Studied architecture at The Royal Danish Academy in Copenhagen

Based in Copenhagen, Denmark



Asger Risborg Jakobsen

Even as a child Asger Risborg Jakobsen found joy in creating all kinds of tools that he played with in the fields and trees around his home. Later Asger chose to make his passion his way of living by studying architecture at The Royal Danish Academy in Copenhagen. After three years he felt the joy of designing fading away and needed a change.

This time, he wanted to try something completely different. Asger started studying medicine and quickly became fascinated with the architecture of the human body. He gradually rediscovered his joy of designing and now combines working in both fields. In his creative work, Asger finds inspiration in the simultaneous complexity and simplicity of nature – and he is driven by creating designs that outlive trends and that can endure everyday use over many years.

“I find lighting fascinating. It is both a practical and essential tool that enables us to unfold our lives after the sun sets. At the same time, it is an aesthetic element that affects us and our surroundings. It transforms the appearance of materials and shapes. It changes the atmosphere. Everything changes with the light.”

With his strong focus on longevity in terms of durability, functionality and aesthetics, Asger Risborg Jakobsen is not subject to short-lived trends and tendencies.

“I believe that instead of making trendy objects we should try to make objects that outlive trends. The objects we make will of course always reflect our time and in this way, nothing is genuinely timeless, but I aim to create contemporary classics.”



Hill Pendant, White 2220103060

WATCH VIDEO



“I wanted to create a lamp that combines the delicate qualities of rice paper lanterns with the durability to endure everyday use over many years”

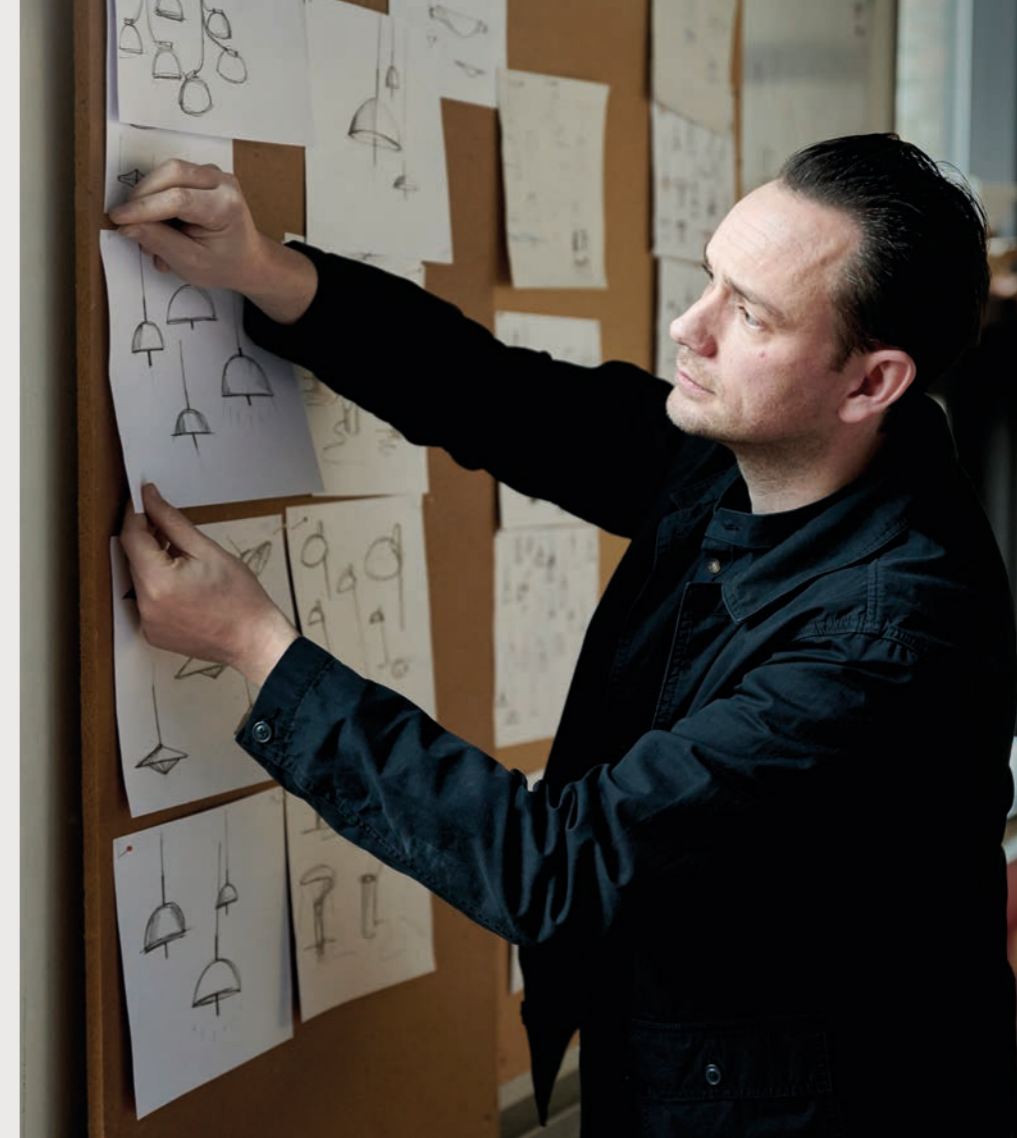
Asger Risborg Jakobsen

Hill

Hill is a large, geometric lampshade that fills the room without blocking the view. Created by Danish designer Asger Risborg, Hill is light as a cloud, but sharp as a rock. A lamp that is both complex and simple while creating a very soft light that spreads into the room in a calm, uniform way.

Learn more about Hill on page 120

Anker Studio



Anker Studio
Consists of designers Christian Troels
and Jonas Birkebak Poulsen both
educated from Design School Kolding.

Based in Svendborg, Denmark

Danish design duo Anker Studio consists of Jonas Poulsen and Christian Troels Hansen. Both have been interested in creating and designing since childhood, which has resulted in a curious approach and a strong creative power in everything they do.

Jonas and Christian each take on different roles while working closely together. Their collaboration often helps them overcome the challenges that come up during the design process.

“When you’re two people working together, you’re forced to say what you’re thinking about out loud. That way it becomes real, and it forces you to make up your mind about it to a greater extent than when it’s just thoughts in your head. When you articulate your problem out loud, you often find another perspective on the solution.”

For Anker Studio, good design is a design that people remember and fall in love with. Something that is part of a bigger story and that will be cherished for years. When working with lighting, Jonas and Christian find the balance between functionality and aesthetics fascinating.

“The best thing about working with lighting is that it has a large range between functionality and art. Some lamps are only functional, while some are more emotionally and aesthetically driven. The emotionally driven pieces become like an art object in the home. That’s what makes the work fun. There’s room for differences”.



Talli Floor, Brown 2420054018

WATCH VIDEO



“The best thing about working with lighting is that it has a large range between functionality and art”.

Anker Studio

Talli

Designed by Danish design duo Anker Studio, Talli has a tall, cylindrical look that is both distinctive and light at the same time. The shade is made entirely from Tyvek – a material known for its durability and stunning light diffusion. The rounded metal base acts as a beautiful contrast to the lightweight shade.

[Learn more about Talli on page 138](#)

Spargo Wall, White/Brass 2320361001

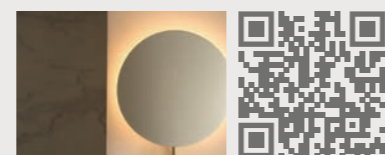


Spargo

Indirect light is the driving force behind the Spargo wall light by Danish Anker Studio. The large, slightly curved shade reflects the light onto the wall and diffuses it into the room. The shade is elegantly held by the brushed brass base.

Learn more about Spargo on page 134

WATCH VIDEO



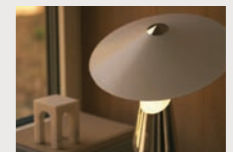


The Taido table lamp by Anker Studio consists of two geometric shapes that together create a refined silhouette. The angled, round shade is elegantly pinned on the conical base.

The lampshade can be adjusted in many directions, allowing you to change the ambience.

Learn more about Taido on page 131

WATCH VIDEO





WATCH VIDEO



Furiko

The Furiko wall light by Anker Studio has a simple and elegant design language. The light reflects backwards onto the beautiful spherical shade, creating a soft and indirect light. Furiko is perfect for the hallway or bedroom where a soft light is essential.

[Learn more about Furiko on page 134](#)



Versale 35 Pendant, White 2420013001



New size

Versale

The Versale series by Anker Studio is the epitome of Scandinavian minimalism cut to the very core. A perfectly round shade with a uniform light surface only disturbed by the piercing frame. The whole series can easily create the perfect ambience anywhere you need a pleasant, glare-free light.

Learn more about Versale on page 112



“Some lamps are only functional, while some are more emotionally and aesthetically driven.

*The emotionally driven pieces become like an art object in the home.
That’s what makes the work fun”*

Anker Studio



WATCH VIDEO



WATCH VIDEO



Rune Balle & Christian Bjørn

The duo has carried out a large number of creative design tasks for both national and international clients

Based in Copenhagen, Denmark

*“Quiet is better than loud.
We like to create designs
that are very simple.
Designs that people
feel safe about”*



Bjørn + Balle

The designers combine minimalistic Scandinavian design with international trends. It's about image creation and recognizability. The overall identity of the product is its form, function, details, structure and materials, which all comes together. A product never stands alone but is part of an environment where the story being told supports the design.

Bjørn + Balle have both carried out a large number of design tasks for both national and international clients at many different areas, such as product design, furniture design, interior design, identity programs and exhibitions, and together they have great success with lighting design.

Bjørn + Balle has delivered a wide range of innovative technical solutions for the industry, as well as beautifully designed products for the consumer market.

Arcello Portable, Antrazite 2220155050



Arcello

With Arcello Danish design duo Bjørn + Balle has created an elegant portable light with a pleasant, downward facing light. The design is simple, yet distinct with a beautiful, uniform anodized surface from top to bottom. The lamp is easily charged with the included USB cable.

Learn more about Arcello on page 128



Darci

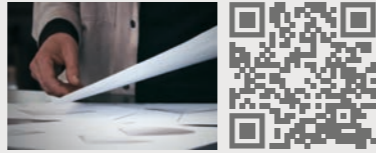
With a cool and industrial design, the Darci series by Bjørn + Balle is both a highly functional and aesthetic addition to your home. Perfect as a bedside lamp, over the kitchen counter or any other place in your home that needs a stylish and functional light.

The beautifully curved lamp head can be easily adjusted for reading, working or just adding the right ambience to the room. High quality materials with a satin soft, matte surface radiate a modern and streamlined look. A gentle tap on the touch switch turns the lamp on and off.

Learn more about Darci on page 86



WATCH VIDEO



Bønnelycke MDD
A Multi-Disciplinary Design company
with a desire to work constructively and innovatively

Based in Aarhus, Denmark

[Learn more about
the designer](#)

*“Great design is giving
people what they want,
and a little bit more”*



Bønnelycke MDD

Bønnelycke MDD was established in 1988. Driven by a nosurpressable urge and desire to work constructively and innovatively, Bønnelycke mdd started his career with the design of lamps, furniture and interior decorating.

Quickly, he became known as an unconventional architect with no whims and fancies. His ability to challenge and optimize the manufacturing process itself is to be found in Henrik’s original professional background as a toolmaker. “It could be fun” and “of course it can be done” – are phrases often used in his company.

From day one, the core of his work has been to create products simply because they are needed. Designs by Bønnelycke MDD grow out of a specific need or requirement expressed by the customer – and by the general public as such. This has resulted in a comprehensive portfolio of projects and designs allowing the company to slowly but steadily expand over the years.

Nomi Wall, Black 2220171003



Nomi Floor, Black 2220194003

Nomi

In the Nomi series, there is an obvious ease between the simple frame and adjustable lamp head. In this series, designer Henrik Bønnelycke has combined the minimalistic shape with innovative LED technology in a very convincing way. A beautiful aesthetic design language with the slim frame and robust base makes Nomi admirable, and will surely create joy year after year.

Learn more about Nomi on page 95

Nomi 5-pendant, Black 2220163003



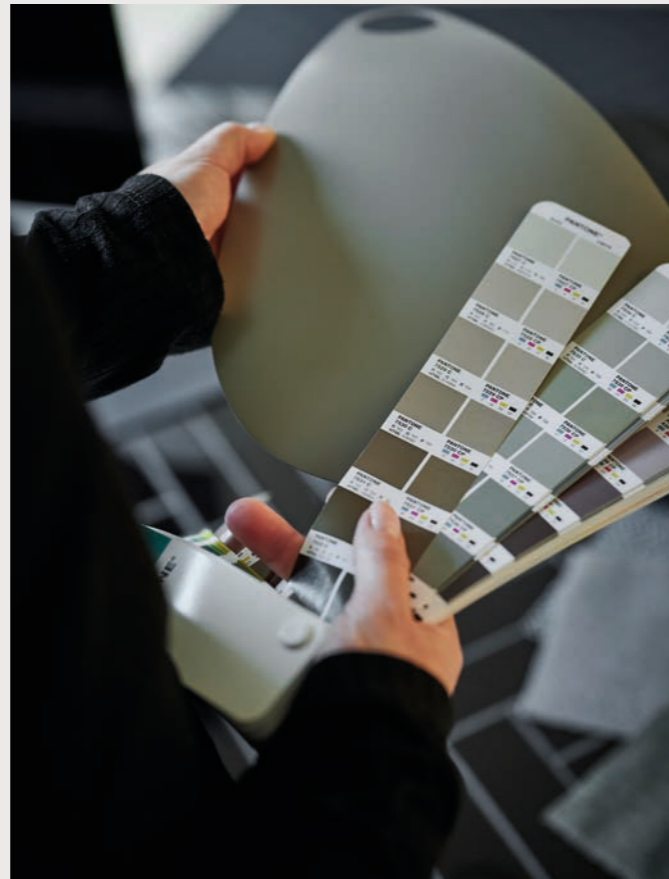


Kaito Pro

With Kaito Pro, Bønnelycke MDD has created a ceiling fixture that breaks with tradition. A ceiling fixture where design and innovation merge into something greater. The shape stands out as sharp, modern and as a uniform, luminous surface. The functional kip joint, made from brass, adds an elegant superiority to the design.

Learn more about Kaito Pro on page 142

Charlotte Høncke



“I like exploring new materials, shapes and techniques and I never choose the easy way out”

Charlotte Høncke has always had a great passion for design and knew from a very early age that she wanted to pursue a career in design or architecture. In 2002 she graduated from Aarhus School of Architecture in Industrial Design, and a few years later she chose to become self-employed working with design full time.

Charlotte finds inspiration everywhere she goes – from nature, architecture or travelling the world. New ideas often require new methods for designing and creating which sometimes forces her to explore new ways.

“I like exploring new materials, shapes and techniques and I never choose the easy way out. That sometimes causes challenges, both for me as a designer but also for the manufacturer. But exploring new methods is also what makes the job diverse and exciting.”

Lighting design is something that Charlotte Høncke finds particularly interesting because of its versatility and the need for balancing functionality with aesthetics.

“Besides having to provide the right, functional light, I also think lamps need to be beautiful when turned off. Lamps are one of the elements that bring most atmosphere into the interior, and I personally like to have many different types of lamps in my home to create just the light and atmosphere I want.”

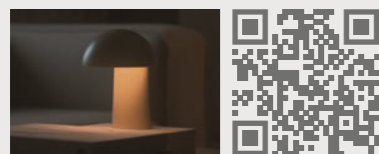
WATCH VIDEO



Charlotte Høncke
Holds a degree from Aarhus School
of Architecture in Industrial Design

Based in Aarhus, Denmark

WATCH VIDEO



Faye Portable

Danish Designer Charlotte Hønlcke has created Faye – a portable and rechargeable lamp in harmonic, geometric shapes. This small lamp is packed with both personality and functionality, making it ideal for a shelf or other narrow space that needs a dimmable, downward-facing light.

Learn more about Faye on page 129





WATCH VIDEO



Fabiola

The Fabiola table lamp by Danish designer Charlotte Høncke draws inspiration from vintage Italian design and effortlessly unites past classics with present modernity. The design is elegant and sculptural, underlined by the placement of the shade, which ensures a soft, indirect light. Brass details add a luxurious look and feel.

Learn more about Fabiola on page 87

Fabiola Pendant, Black/Brass 2220223003



Fabiola Table, Black/Brass 2220245003

“With Rochelle, I wanted to create a functional lamp series with a sculptural and organic design expression.

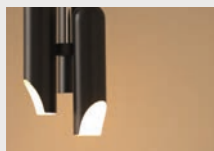
The characteristic shade has a simple cylindrical shape with a distinctive cutout that provides a pleasant, diffused light.”

Charlotte Hønce



Rochelle Pendant, Black 2320283003

WATCH VIDEO



Rochelle Wall, Black 2320301003



Rochelle

The Rochelle series by Danish designer Charlotte Hønlcke has a modern Italian design language with a slender, sculptural lamp head. The adjustable lamp head can be directed in any way you want, making the lamp perfect next to your bed or above your kitchen counter.

Learn more about Rochelle on page 98



Rochelle Floor, Black 2320314003

Caché Table, Black 2220275003



Caché

With Caché, Danish designer Charlotte Høoncke has created a table lamp with an intriguing and eye-catching design. The lamp is made from two perfectly round shades, united elegantly by a solid marble base. Caché creates an interesting and playful ambience where the light is reflected back and forth between the two shades.

Learn more about Caché on page 129



“To me, success is when my design brings joy in the everyday lives of people”



WATCH VIDEO



Maria Berntsen
Holds degrees from both
The Royal Danish Academy Art
and L'Ecole d'Architecture

Based in Copenhagen, Denmark



Maria Berntsen

With her own design studio in Copenhagen, Maria Berntsen has since 1992 focused on architecture and design. Maria Berntsen is a well-established name in the design industry and has over the years collaborated with a wide range of Danish and international companies, where her extensive experience has resulted in many successful designs.

“At the start of a new project, I look for an idea with nerve, functionality and identity. By modelling and visualizing, I test the idea, how it might be used, and its presence.

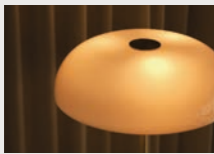
Good design communicates and establishes a dialogue with the receiver. Design is not just about functionality – it is as much about the emotional connection and impact. To me, success is when my design brings joy in the everyday lives of people”

"Glossy is my favourite lamp. I feel that it successfully balances form and a mix of materials. The entire construction and expression of the lamp is simple and timeless."

Maria Berntsen



WATCH VIDEO





Align

Align is a series of elegant contemporary lights by Danish designer Maria Berntsen that encourage interaction and spark curiosity. The inner shade of the light is static, while the outer shade can easily be moved for a changeable light that suits any need.

Learn more about Align on page 82



Align Pendant, Black 2320053003

Align Pendant, White 2320053001



WATCH VIDEO





Shapes

The Shapes series by Danish designer Maria Berntsen draws inspiration from elegant, organically shaped jewellery. The opal glass shade has a unique, asymmetrical form that plays beautifully together with the shiny brass base and creates a refined and intriguing look. The lamp emits a soft, diffused light through the mouth-blown glass shade.

[Learn more about Shapes on page 101](#)

Studio Mauro//Lefèvre by Sofie Lefèvre



“I generally like challenges. Challenges create a sense of suspension, even though I know that it’s almost always possible to find a solution – it’s really just a matter of time”

WATCH VIDEO



Sofie Lefèvre
Holds a degree in Innovation
Design from Royal College of Art
Based in Copenhagen, Denmark

The road to becoming a designer has not been straight ahead for Sofie Lefèvre. She started studying medicine, but after a year changed her course and continued her education within the design field. Several years in London and a degree in Innovation Design from Royal College of Art gave her hands-on experience and the drive to pursue a career within design.

Working with lighting design comes naturally to Sofie. She understands and emphasizes the impact light has on our lives and is fascinated by the way light can change the interior: “I find it very interesting working with atmospheres created by light. There are so many aspects where my inner child can be released, playing with angles, materials and openings to create the wanted reflection or diffusion of light.”

WATCH VIDEO



Beau

Designed by Danish design studio Mavro/Lefèvre, the Beau pendant is based on the idea of extruding the silhouette of a lamp horizontally in space. Beau has a slim, minimalist design that looks beautiful above a dining table or in the kitchen. Comes with a replaceable bulb.

[Learn more about Beau on page 118](#)



Takai Table, Brown Marble 2320445018


Takai

The Takai series by Studio Mavro//Lefèvre by Sofie Lefèvre has a large fabric shade with a beautiful shape that invites you to look at it from many different angles. The combination of the flax linen shade and the burnished brass creates a very soft and warm design language.

Learn more about Takai on page 110

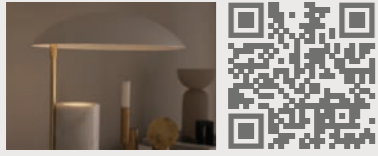


WATCH VIDEO

A small video thumbnail showing the Takai pendant lamp and a QR code to watch a video.

Takai Pendant, Brown brass 2320403018

WATCH VIDEO



Mademoiselles Table, White 2220405001

Mademoiselles

Mademoiselles by Danish design Studio Mavro//Lefèvre by Sofie Lefèvre has a fun and light-hearted design expression where the round, oversized shade is balanced by the solid, marble base. Light is reflected upwards onto the bottom of the shade, creating a soft, indirect ambience.

Learn more about Mademoiselles on page 130



Mademoiselles Table, Black 2220405003

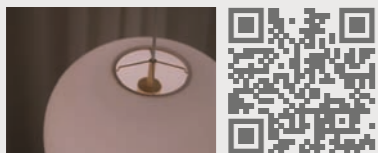
*New
size*

*“The design of Navone is quite timeless,
and I love how the suspension becomes
an extension of the shape of the glass –
two shapes in one harmonic interplay”*

Sofie Lefèvre



WATCH VIDEO



Navone

Navone is designed by Danish design Studio Mavro//Lefèvre by Sofie Lefèvre. The overall shape of the shade is soft and round, yet the very subtle curved bottom adds a new interesting dimension that transforms the lamp into more than just a sphere. The brass details add a contemporary touch, underlining the suspended lightness of the lamp.

Learn more about Navone on page 121



Families

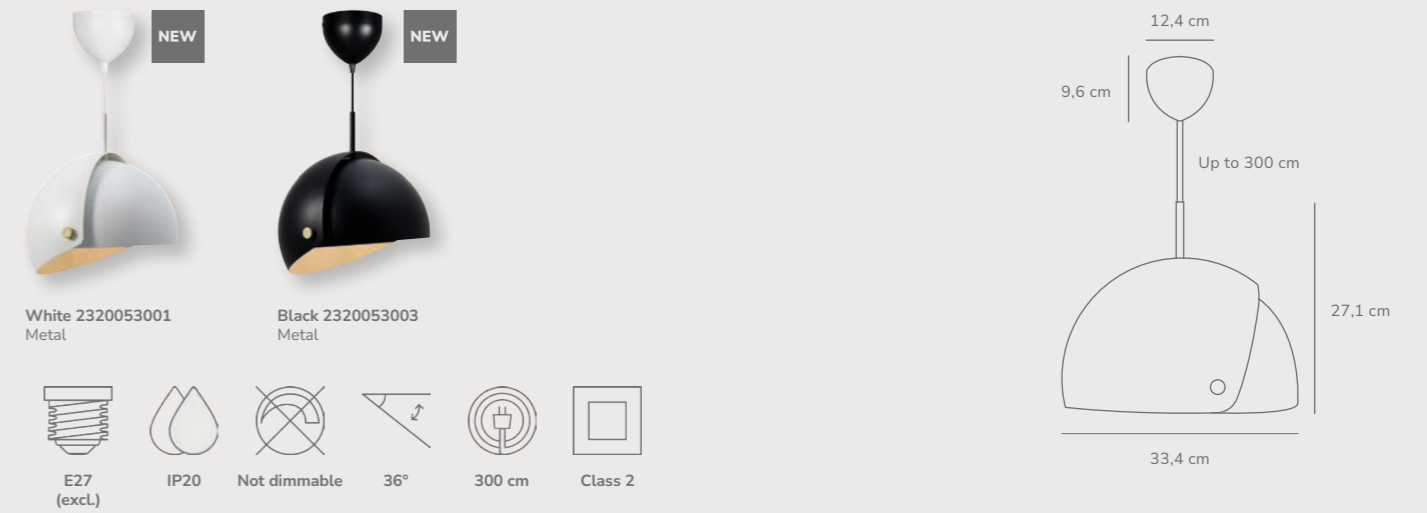


Align Table designed by Maria Berntsen



Measurements	Dimmable	Cable info	Switch	Max. W	Masterbox
H: 33,5 cm, W: 23 cm, L: 23 cm, shade Ø: 22 cm, shade H: 12 cm	No, cannot be dimmed	White/Black/Grey Textile Not replaceable	On the cable	25W	Qty. 3

Align Pendant designed by Maria Berntsen



Measurements	Dimmable	Cable info	Canopy info	Max. W	Masterbox
H: 27,1 cm, W: 33,4 cm, L: 33,4 cm, shade Ø: 32 cm	Yes, can be dimmed by choosing a dimmable bulb	White/Black Textile Not replaceable	White/Black Metal 12,4 x 9,6 cm	15W	Qty. 2

Angle E27 Pendant designed by Maria Berntsen



Measurements	Dimmable	Cable info	Canopy info	Max. W	Masterbox
H: 31,5 cm, shade Ø: 20,6 cm	Yes, can be dimmed by choosing a dimmable bulb	White/Black/Grey Textile Not replaceable	White/Black/Grey Plastic 11,85 x 7,35 cm	60W	Qty. 3

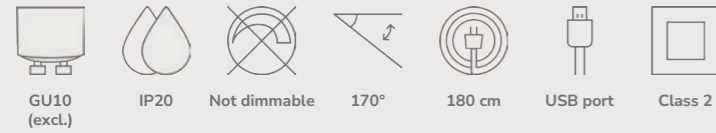
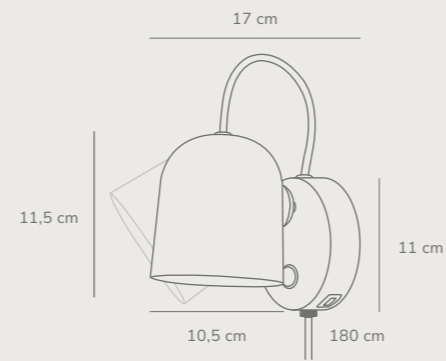
Angle GU10 Wall designed by Maria Berntsen



White/Telegrey 2120601001
Metal

Black 2120601003
Metal

Grey 2120601010
Metal



Measurements	Dimmable	Cable info	Switch	Max. W	Masterbox
H: 11,5 cm, W: 10,5 cm, L: 17 cm, shade Ø: 10,5 cm	No, cannot be dimmed	White/Black/Grey Textile Replaceable	On the fixture	25W	Qty. 3

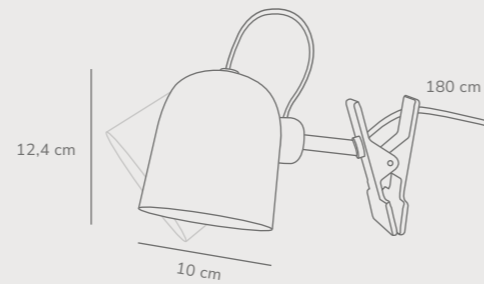
Angle Clamp lamp designed by Maria Berntsen



White/Telegrey 2220362001
Metal

Black 2220362003
Metal

Grey 2220362010
Metal

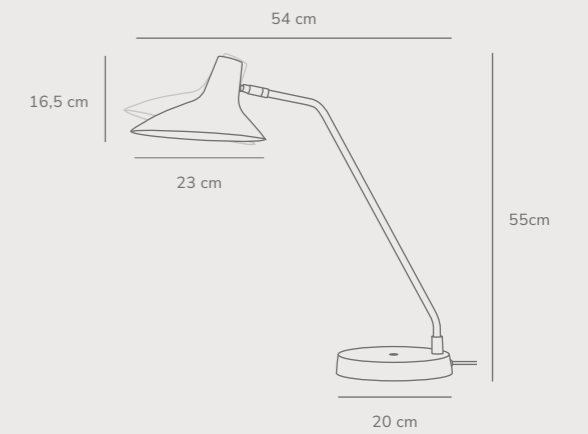


Measurements	Dimmable	Cable info	Switch	Max. W	Masterbox
H: 12,4 cm, W: 10 cm, L: 180 cm, shade Ø: 10 cm	No, cannot be dimmed	White/Black/Grey Textile Not replaceable	On the cable	15W	Qty. 3

Darci Table designed by Bjørn+Balle



Black 2120565003
Metal

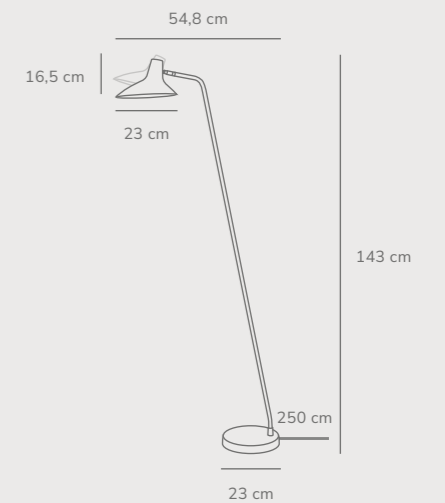


Measurements	Dimmable	Cable info	Switch	Max. W	Masterbox
H: 55 cm, W: 23 cm, L: 54 cm, shade Ø: 23 cm, shade H: 16,5 cm, tube Ø: 1,25 cm	No, cannot be dimmed	Black Textile Not replaceable	On the base	25W	Qty. 2

Darci Floor designed by Bjørn+Balle



Black 2120584003
Metal



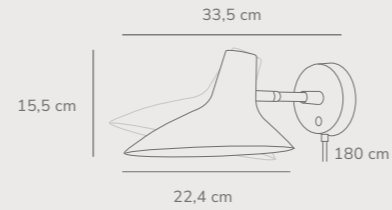
Measurements	Dimmable	Cable info	Switch	Max. W	Masterbox
H: 143 cm, W: 23 cm, L: 54,8 cm, shade Ø: 23 cm, shade H: 16,5 cm, tube Ø: 1,56 cm	No, cannot be dimmed	Black Textile Not replaceable	On the cable	25W	Qty. 2

Darci Wall designed by Bjørn+Balle



NEW

Black 2320221003
Metal

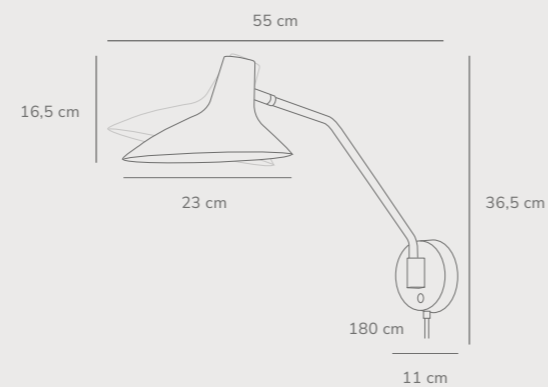


Measurements	Dimmable	Cable info	Switch	Max. W	Masterbox
H: 15,5 cm, L: 33,5 cm, shade Ø: 22,4 cm	No, cannot be dimmed	Black Textile Replaceable	On the fixture	25W	Qty. 3

Darci Wall designed by Bjørn+Balle



Black 2120551003
Metal

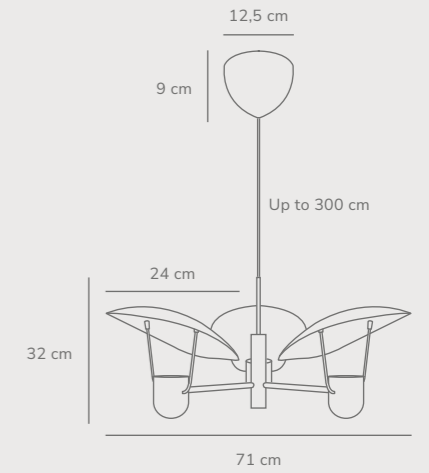


Measurements	Dimmable	Cable info	Switch	Max. W	Masterbox
H: 36,5 cm, W: 23 cm, L: 55 cm, shade Ø: 23 cm, shade H: 16,5 cm, tube Ø: 1,25 cm	No, cannot be dimmed	Black Textile Replaceable	On the fixture	25W	Qty. 3

Fabiola Pendant designed by Charlotte Høncke Design



Black 2220223003
Metal

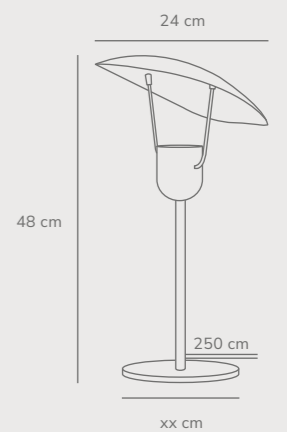


Measurements	Dimmable	Cable info	Canopy info	Max. W	Masterbox
H: 32 cm, W: 71 cm, shade Ø: 24 cm, tube Ø: 1,1 cm, Ø: 71 cm	Yes, can be dimmed by choosing a dimmable bulb	Black Textile Not replaceable	Black Textile 12,5 cm x 9 cm	40W	Qty. 1

Fabiola Table designed by Charlotte Høncke Design



Black 2220245003
Metal

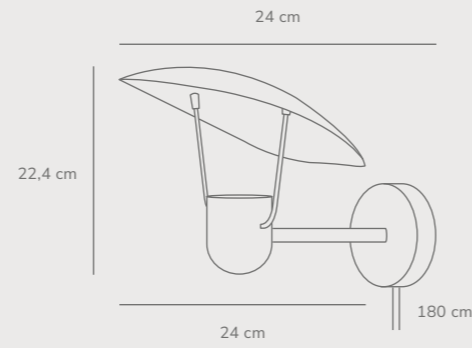


Measurements	Dimmable	Cable info	Switch	Max. W	Masterbox
H: 48 cm, W: 24 cm, L: 24 cm, shade Ø: 27 cm, tube Ø: 1,6 cm, Ø: 27 cm	No, cannot be dimmed	Black Textile Not replaceable	On the cable	40W	Qty. 3

Fabiola Wall designed by Charlotte Høncke Design

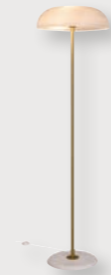


Black 2220231003
Metal

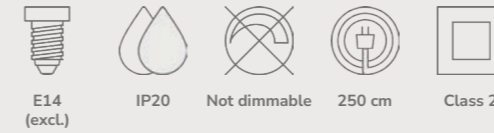
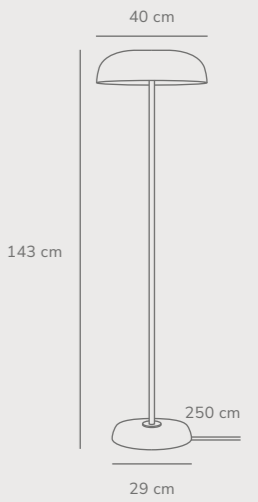


Measurements	Dimmable	Cable info	Switch	Max. W	Masterbox
H: 22.4 cm, W: 24 cm, L: 24 cm, tube Ø: 1.3 cm	No, cannot be dimmed	Black Textile Replaceable	Touch on/off on the base	40W	Qty. 3

Glossy Floor designed by Maria Berntsen



White 2220344001
Glass



Measurements	Dimmable	Cable info	Switch	Max. W	Masterbox
H: 143 cm, W: 40 cm, L: 40 cm, shade Ø: 40 cm, tube Ø: 1.9 cm	No, cannot be dimmed	White Textile Not replaceable	On the cable	25W	Qty. 1

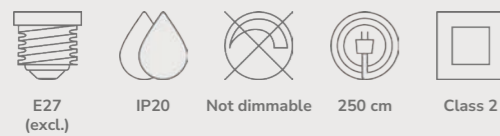
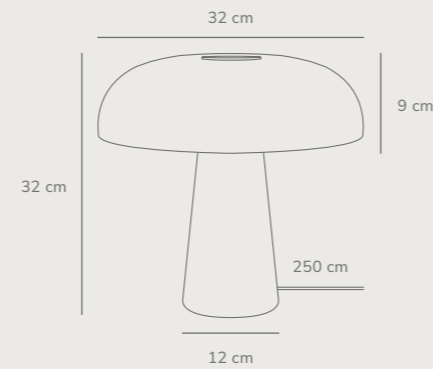
Glossy Table designed by Maria Berntsen



Opal white 2020505001
Marble



Grey 2020505010
Marble



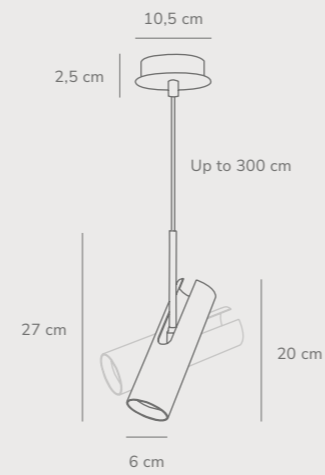
Measurements	Dimmable	Cable info	Switch	Max. W	Masterbox
H: 32 cm, W: 32 cm, L: 32 cm, shade Ø: 32 cm, shade H: 9 cm, Ø: 32 cm	No, cannot be dimmed	White Textile Not replaceable	On the cable	15W	Qty. 2

MIB 6 Pendant designed by Bønnelycke MDD



White 71679901
Metal

Black 71679903
Metal



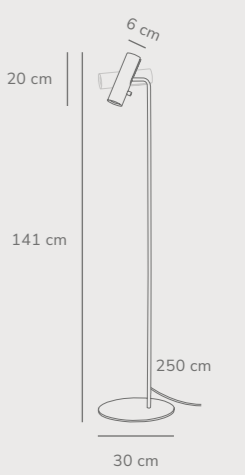
Measurements	Dimmable	Cable info	Canopy info	Max. W	Masterbox
H: 27 cm, shade Ø: 6 cm, shade H: 20 cm, tube Ø: 1 cm	Yes, can be dimmed by choosing a dimmable bulb	White/Black Textile Not replaceable	White/Black Metal 10,5 x 2,5 cm	8W	Qty. 3

MIB 6 Floor designed by Bønnelycke MDD



White 71704001
Metal

Black 71704003
Metal



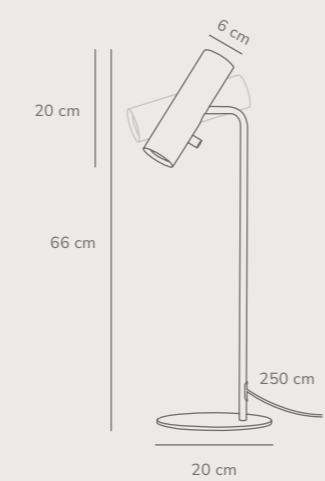
Measurements	Dimmable	Cable info	Switch	Max. W	Masterbox
H: 141 cm, shade Ø: 6 cm, shade H: 20 cm, tube Ø: 1,27 cm	No, cannot be dimmed	White/Black Plastic Not replaceable	On the fixture	8W	Qty. 2

MIB 6 Table designed by Bønnelycke MDD



White 71655001
Metal

Black 71655003
Metal



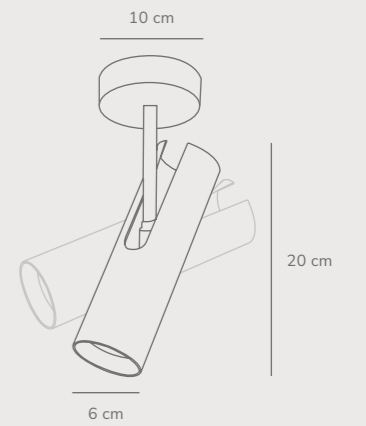
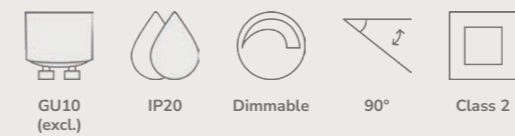
Measurements	Dimmable	Cable info	Switch	Max. W	Masterbox
H: 66 cm, shade Ø: 6 cm, shade H: 20 cm, tube Ø: 1,27 cm	No, cannot be dimmed	White/Black Plastic Not replaceable	On the fixture	8W	Qty. 3

MIB Ceiling designed by Bønnelycke MDD



White 2020666001
Metal

Black 2020666003
Metal



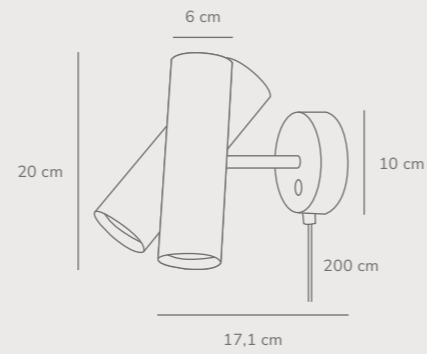
Measurements	Dimmable	Max. W	Masterbox
H: 20 cm, W: 10 cm, shade Ø: 6 cm, shade H: 20 cm, wall base: Ø10 cm	Yes, can be dimmed by choosing a dimmable bulb	8W	Qty. 3

MIB 6 Wall designed by Bønnelycke MDD



White 61681001
Metal

Black 61681003
Metal



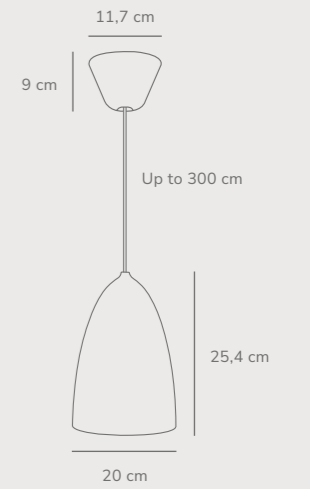
Measurements	Dimmable	Cable info	Switch	Max. W	Masterbox
H: 20 cm, W: 10 cm, shade Ø: 6 cm, shade H: 20 cm, projection: 17,1 cm, wall base: Ø10 cm	No, cannot be dimmed	White/Black Plastic Replaceable	Touch on/off on the base	8W	Qty. 3

Nexus 2.0 Pendant designed by Bønnelycke MDD



White/Telegrey 2020583001
Metal

Black 2020583003
Metal



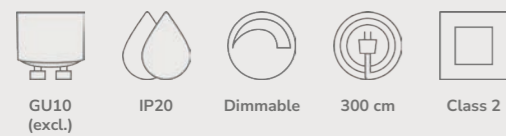
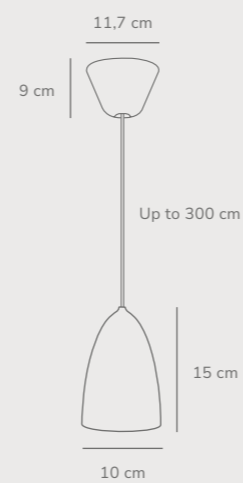
Measurements	Dimmable	Cable info	Canopy info	Max. W	Masterbox
H: 25,4 cm, W: 20 cm, shade Ø: 20 cm, shade H: 25,2 cm	Yes, can be dimmed by choosing a dimmable bulb	White/Black Textile Not replaceable	White/Black Plastic 11,7 x 9 cm	40W	Qty. 2

Nexus 2.0 Small Pendant designed by Bønnelycke MDD



White/Telegrey 2020563001
Metal

Black 2020563003
Metal



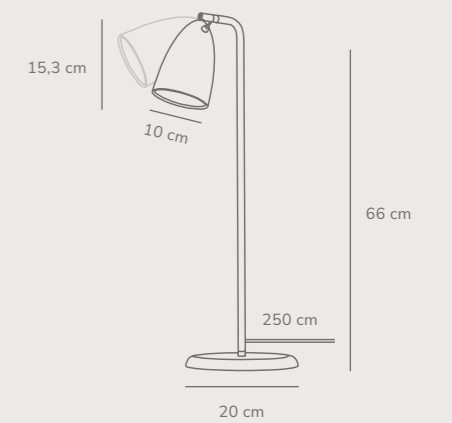
Measurements	Dimmable	Cable info	Canopy info	Max. W	Masterbox
H: 15 cm, W: 10 cm, shade Ø: 10 cm, shade H: 15,3 cm	Yes, can be dimmed by choosing a dimmable bulb	White/Black Textile Not replaceable	White/Black Plastic 11,7 x 9 cm	6W	Qty. 3

Nexus 2.0 Table designed by Bønnelycke MDD



White/Telegrey 2020625001
Metal

Black 2020625003
Metal

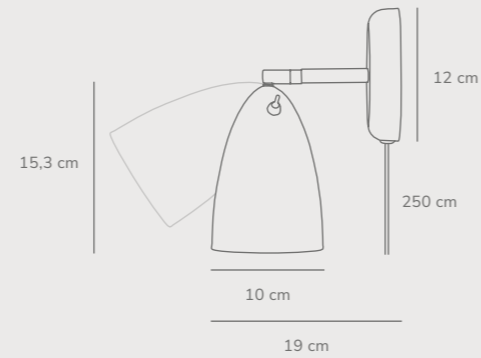


Measurements	Dimmable	Cable info	Switch	Max. W	Masterbox
H: 66 cm, shade Ø: 10 cm, shade H: 15,3 cm	No, cannot be dimmed	White/Black Textile Not replaceable	On the fixture	6W	Qty. 2

Nexus 2.0 Wall designed by Bønnelycke MDD



White/Telegrey 2020601001 Metal
Black 2020601003 Metal

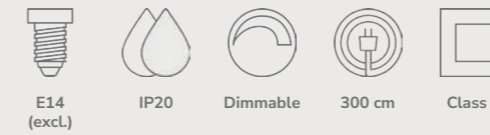
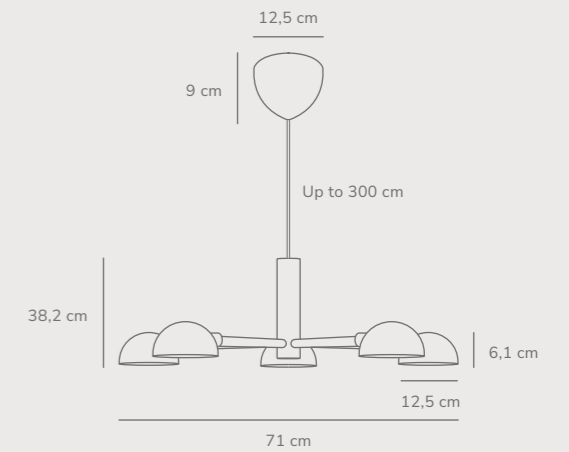


Measurements	Dimmable	Cable info	Switch	Max. W	Masterbox
H: 22 cm, shade Ø: 10 cm, shade H: 15,3 cm, projection: 19 cm	No, cannot be dimmed	White/Black Textile Replaceable	On the fixture	6W	Qty. 3

Nomi Pendant designed by Bønnelycke MDD



Black 2220163003 Metal

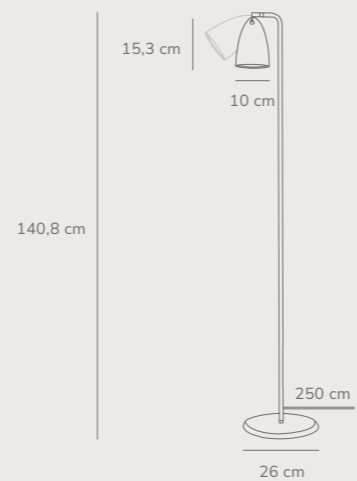


Measurements	Dimmable	Cable info	Canopy info	Max. W	Masterbox
H: 38 cm, W: 71 cm, shade Ø: 12,5 cm, shade H: 6,1 cm, Ø: 71 cm	Yes, can be dimmed by choosing a dimmable bulb	Black Textile Not replaceable	Black Textile 12,5 cm x 9 cm	5x8W	Qty. 2

Nexus 2.0 Floor designed by Bønnelycke MDD



White/Telegrey 2020644001 Metal
Black 2020644003 Metal

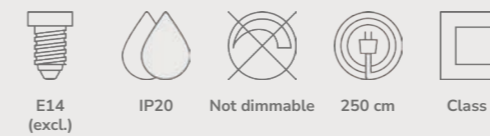
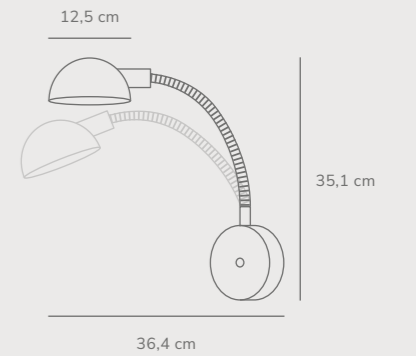


Measurements	Dimmable	Cable info	Switch	Max. W	Masterbox
H: 140,8 cm, shade Ø: 10 cm, shade H: 15,3 cm	No, cannot be dimmed	White/Black Textile Not replaceable	On the fixture	6W	Qty. 2

Nomi Wall designed by Bønnelycke MDD



Black 2220171003 Metal

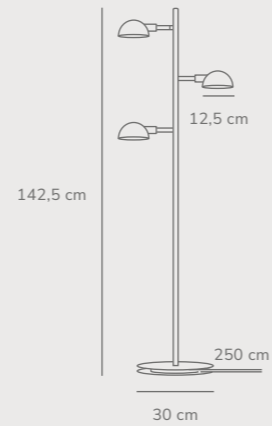


Measurements	Dimmable	Cable info	Switch	Max. W	Masterbox
H: 35,1 cm, W: 60,5 cm, L: 60,5 cm, shade Ø: 12,5 cm, Ø: 12,5 cm, D: 36,4 cm	No, cannot be dimmed	Black Textile Replaceable	On the base	8W	Qty. 3

Nomi Floor designed by Bønnelycke MDD



Black 2220194003
Metal

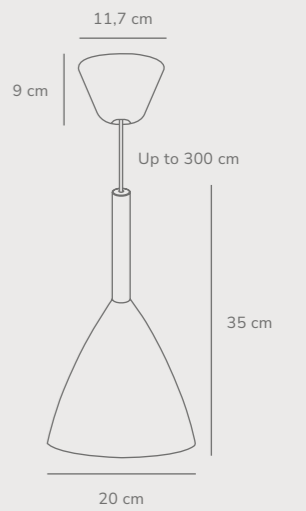


Measurements	Dimmable	Cable info	Switch	Max. W	Masterbox
H: 142,5 cm, W: 30 cm, L: 30 cm, shade Ø: 12,5 cm, Ø: 12,5 cm	No, cannot be dimmed	Black Textile Not replaceable	On the fixture	3x8W	Qty. 2

Pure 20 Pendant designed by Bønnelycke MDD



White 43293001
Metal Black 43293003
Metal Grey 43293010
Metal

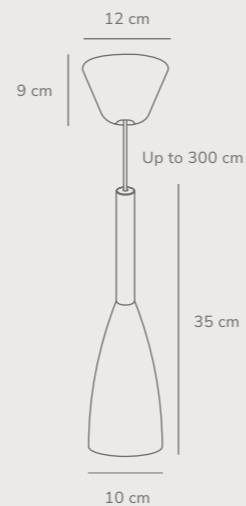
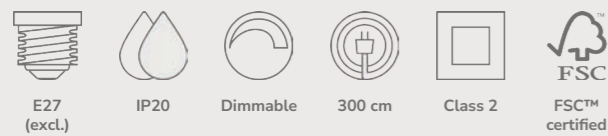


Measurements	Dimmable	Cable info	Canopy info	Max. W	Masterbox
H: 35 cm, shade Ø: 20 cm, shade H: 35 cm	Yes, can be dimmed by choosing a dimmable bulb	White/Black/Grey Textile Not replaceable	White/Black/Grey Plastic 11,7 cm x 7 cm	40W	Qty. 3

Pure Pendant designed by Bønnelycke MDD



White 78283001
Metal Black 78283003
Metal Grey 78283011
Metal

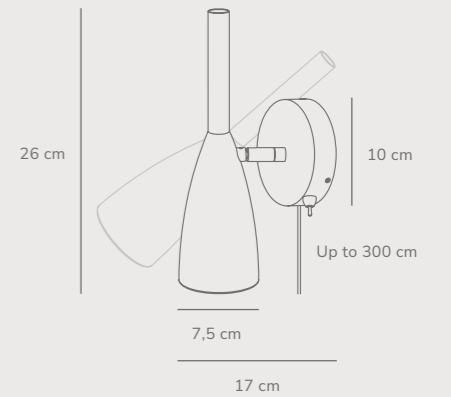


Measurements	Dimmable	Cable info	Canopy info	Max. W	Masterbox
H: 35 cm, shade Ø: 10 cm, shade H: 26 cm	Yes, can be dimmed by choosing a dimmable bulb	White/Black/Grey Textile Not replaceable	White/Black/grey Plastic 12 cm x 9 cm	40W	Qty. 3

Pure Wall designed by Bønnelycke MDD



White 78271001
Metal Black 78271003
Metal Grey 78271011
Metal

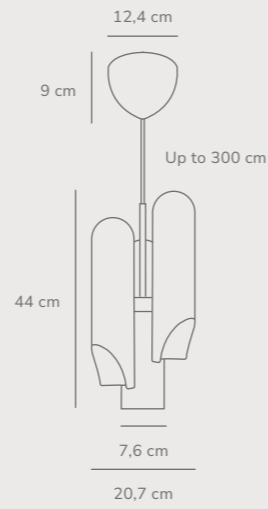
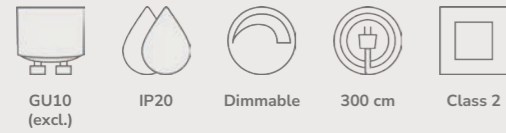


Measurements	Dimmable	Cable info	Switch	Max. W	Masterbox
H: 26 cm, shade Ø: 7,5 cm, shade H: 26 cm, projection: 17 cm, wall base: Ø10 cm	No, cannot be dimmed	White/Black/Grey Textile Replaceable	On the base	8W	Qty. 3

Rochelle Pendant designed by Charlotte Høncke Design

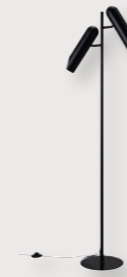


Black 2320283003
Metal

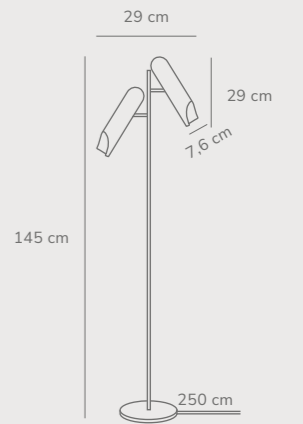


Measurements	Dimmable	Cable info	Canopy info	Max. W	Masterbox
H: 44 cm, W: 20,7 cm, L: 20,7 cm, shade Ø: 7,6 cm, Ø: 20,7 cm	Yes, can be dimmed by choosing a dimmable bulb	Black Textile Not replaceable	Black Metal 12,4 cm x 9 cm	3x8W	Qty. 3

Rochelle Floor designed by Charlotte Høncke Design



Black 2320314003
Metal

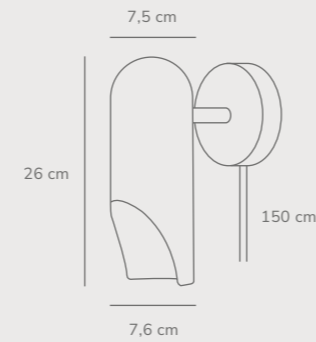


Measurements	Dimmable	Cable info	Switch	Max. W	Masterbox
H: 145 cm, W: 29 cm, L: 29 cm, shade Ø: 7,6 cm, tube Ø: 1,9 cm, Ø: 7,6 cm	No, cannot be dimmed	Black Textile Not replaceable	On the cable	2x8W	Qty. 2

Rochelle Wall designed by Charlotte Høncke Design



Black 2320301003
Metal

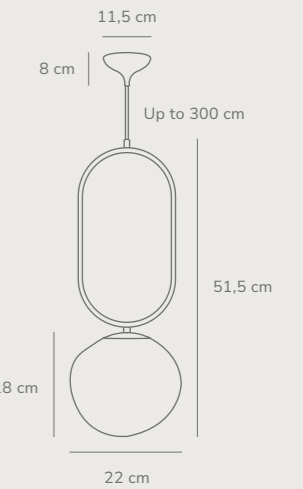
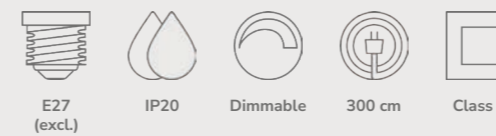


Measurements	Dimmable	Cable info	Switch	Max. W	Masterbox
H: 20,5 cm, shade Ø: 7,6 cm, Ø: 7,6 cm	No, cannot be dimmed	Black Textile Replaceable	On the base	8W	Qty. 3

Shapes 22 Pendant designed by Maria Berntsen



Brass 2120013035
Glass

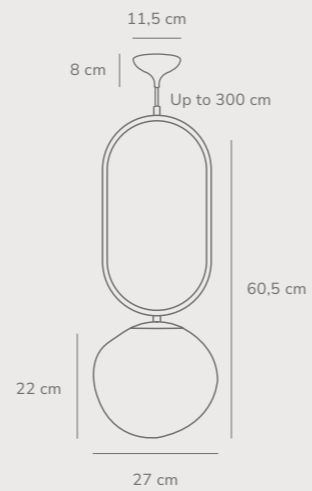
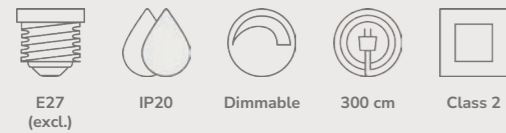


Measurements	Dimmable	Cable info	Canopy info	Max. W	Masterbox
H: 51,5 cm, L: 22 cm, shade Ø: 22 cm, shade H: 18 cm, tube Ø: 1,53 cm	Yes, can be dimmed by choosing a dimmable bulb	Black Textile Not replaceable	Black Plastic 11,5 x 8 cm	15W	Qty. 3

Shapes 27 Pendant designed by Maria Berntsen



Brass 2120023035
Glass

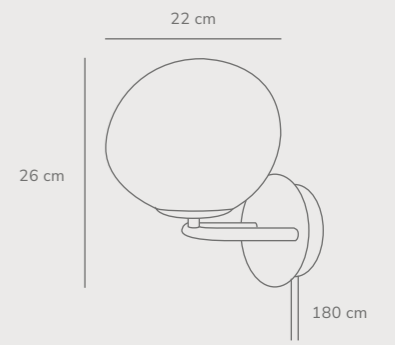
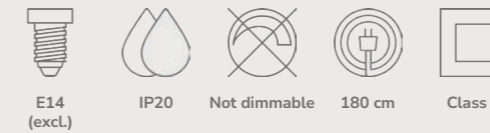


Measurements	Dimmable	Cable info	Canopy info	Max. W	Masterbox
H: 60,5 cm, W: 22 cm, L: 27 cm, shade Ø: 27 cm, shade H: 22 cm, tube Ø: 1,53 cm	Yes, can be dimmed by choosing a dimmable bulb	Black Textile Not replaceable	Black Plastic 11,5 x 8 cm	15W	Qty. 2

Shapes Wall designed by Maria Berntsen



Brass 2320321035
Glass

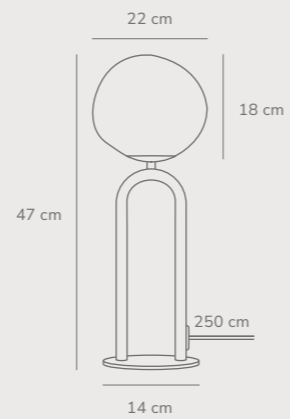


Measurements	Dimmable	Cable info	Switch	Max. W	Masterbox
H: 26 cm, W: 22,5 cm, shade Ø: 22 cm	No, cannot be dimmed	Black Textile Replaceable	On the cable	25W	Qty. 3

Shapes Table designed by Maria Berntsen



Brass 2120055035
Glass

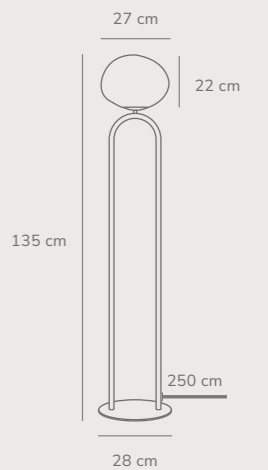
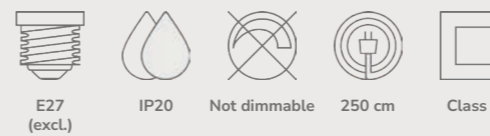


Measurements	Dimmable	Cable info	Switch	Max. W	Masterbox
H: 47 cm, W: 18 cm, L: 22 cm, shade Ø: 22 cm, shade H: 18 cm, tube Ø: 1,53 cm	No, cannot be dimmed	Black Textile Not replaceable	On the cable	15W	Qty. 3

Shapes Floor designed by Maria Berntsen



Brass 2120074035
Glass

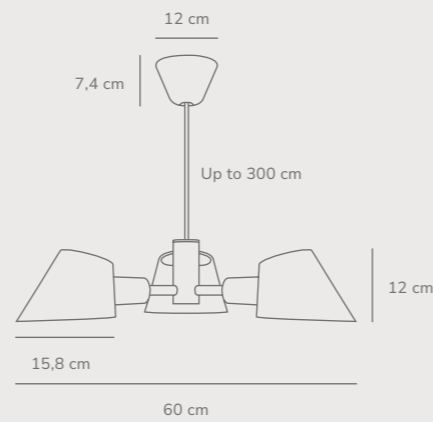


Measurements	Dimmable	Cable info	Switch	Max. W	Masterbox
H: 135 cm, W: 28 cm, L: 28 cm, shade Ø: 27 cm, shade H: 22 cm, tube Ø: 1,9 cm	No, cannot be dimmed	Black Textile Not replaceable	On the cable	15W	Qty. 2

Stay 3-Spot Pendant designed by Maria Berntsen



Black 2120703003
Aluminium



Measurements	Dimmable	Cable info	Canopy info	Max. W	Masterbox
H: 12 cm, shade Ø: 15,8 cm, shade H: 13 cm, Ø: 60 cm	Yes, can be dimmed by choosing a dimmable bulb	Black/Grey Textile Not replaceable	Black Plastic 12 x 7,4 cm	3x60W	Qty. 2

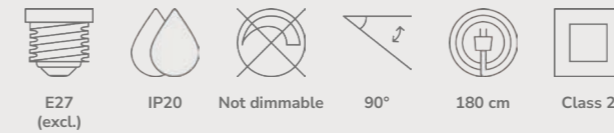
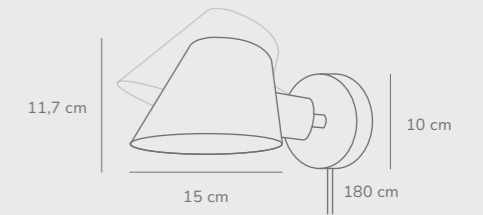
Stay Wall designed by Maria Berntsen



Black 2220381003
Aluminium



Grey 2220381010
Aluminium



Measurements	Dimmable	Cable info	Switch	Max. W	Masterbox
H: 11,7 cm, W: 15 cm, L: 15 cm, shade Ø: 15 cm, shade H: 11,7 cm	No, cannot be dimmed	Black/Grey Textile Replaceable	On the fixture	60W	Qty. 3

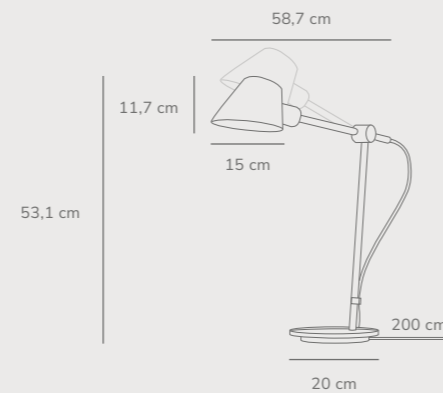
Stay Long Table designed by Maria Berntsen



Black 2020445003
Aluminium



Grey 2020445010
Aluminium

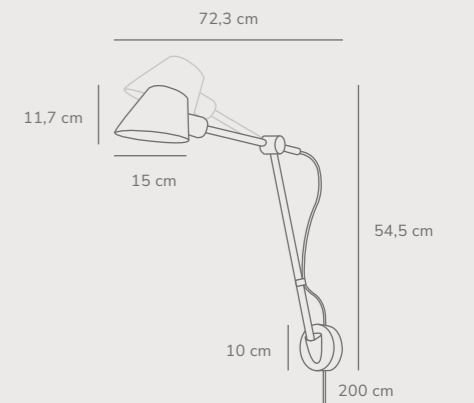


Measurements	Dimmable	Cable info	Switch	Max. W	Masterbox
H: 53,1 cm, shade Ø: 15 cm, shade H: 11,7 cm, projection: 58,7 cm, tube Ø: 1,57 cm	No, cannot be dimmed	Black/Grey Textile Not replaceable	On the fixture	60W	Qty. 2

Stay Wall designed by Maria Berntsen



Black 2020455003
Aluminium



Measurements	Dimmable	Cable info	Switch	Max. W	Masterbox
H: 54,5 cm, shade Ø: 15 cm, shade H: 11,7 cm, projection: 72,3 cm, tube Ø: 1,57 cm, wall base: Ø10 cm	No, cannot be dimmed	Black Textile Replaceable	On the fixture	60W	Qty. 2

Stay Floor designed by Maria Berntsen

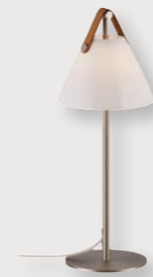


Black 2020464003
Aluminium

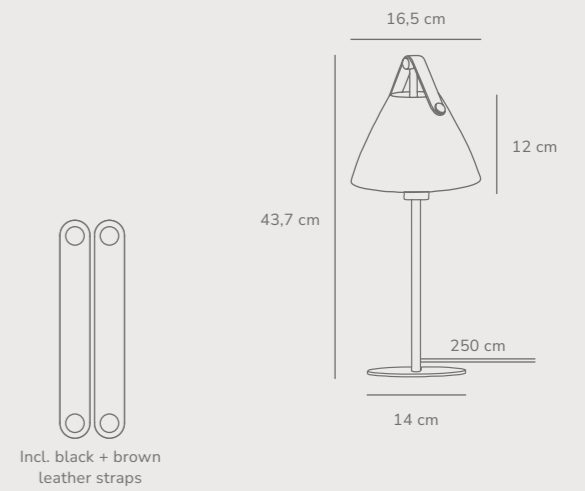


Measurements	Dimmable	Cable info	Switch	Max. W	Masterbox
H: 129,2 cm, shade Ø: 15 cm, shade H: 11,7 cm, projection: 58,7 cm, tube Ø: 1,57 cm	No, cannot be dimmed	Black Textile Not replaceable	On the fixture	60W	Qty. 1

Strap 16 Table G9 designed by Bjørn+Balle



Brushed steel 2020025001
Glass

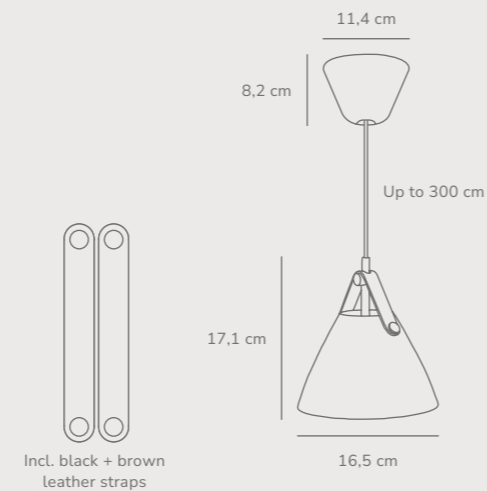


Measurements	Dimmable	Cable info	Switch	Max. W	Masterbox
H: 43,7 cm, W: 16,5 cm, L: 16,5 cm, shade Ø: 16,5 cm, shade H: 15,5 cm, tube Ø: 1,2 cm	No, cannot be dimmed	White Textile Not replaceable	On the cable	25W	Qty. 3

Strap 16 Pendant G9 designed by Bjørn+Balle



Opal white 2020013001
Glass

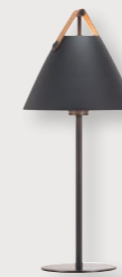


Measurements	Dimmable	Cable info	Canopy info	Max. W	Masterbox
H: 17,1 cm, W: 16,5 cm, L: 16,5 cm, shade Ø: 16,5 cm, shade H: 17,1 cm	Yes, can be dimmed by choosing a dimmable bulb	White Textile Not replaceable	White/Black Plastic 11,4 x 8,2 cm	40W	Qty. 3

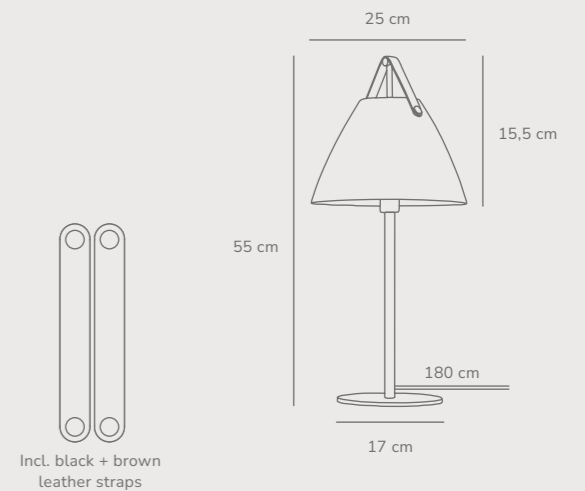
Strap Table designed by Bjørn+Balle



White 46205001
Metal



Black 46205003
Metal



Measurements	Dimmable	Cable info	Switch	Max. W	Masterbox
H: 55 cm, shade Ø: 25 cm, shade H: 15,5 cm, tube Ø: 1,57 cm	No, cannot be dimmed	White/Black Textile Not replaceable	On the bulb base	40W	Qty. 3

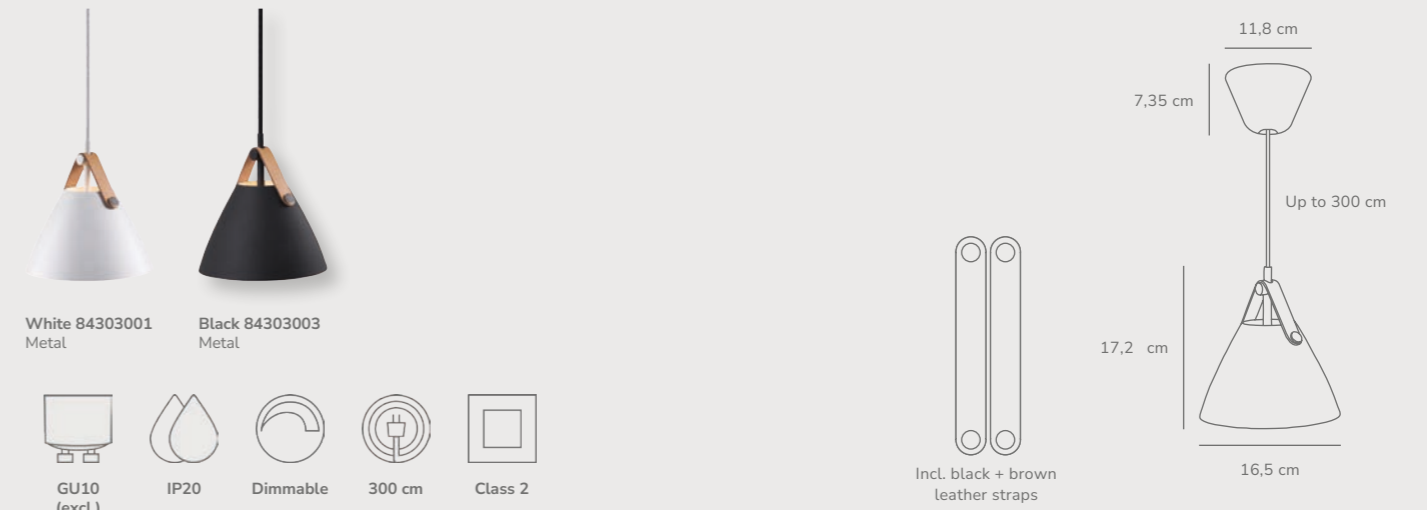
Strap 15 Wall designed by Bjørn+Balle



- White 84291001
Metal
- Black 84291003
Metal
- GU10 (excl.)
 - IP20
 - Not dimmable
 - 90°
 - 180 cm
 - Class 2
- Incl. black + brown leather straps

Measurements	Dimmable	Cable info	Switch	Max. W	Masterbox
H: 17 cm, shade Ø: 16,5 cm, shade H: 17 cm, projection: 21,5 cm, tube Ø: 1,6 cm, wall base: Ø 12,3 cm	No, cannot be dimmed	White/Black Plastic Replaceable	On the base	8W	Qty. 3

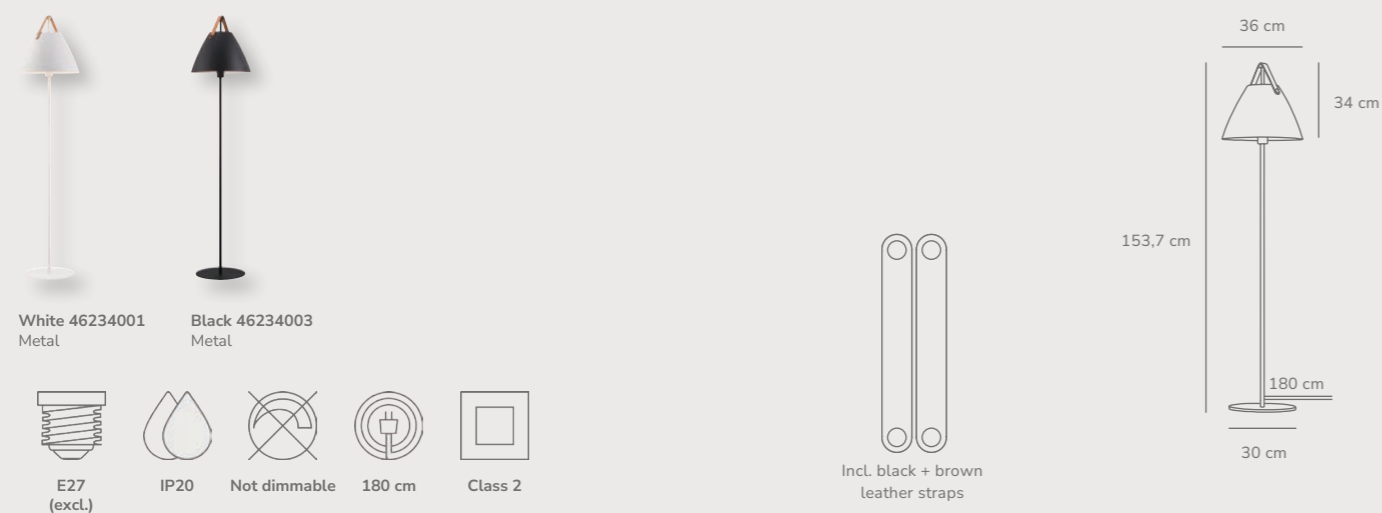
Strap 16 Pendant designed by Bjørn+Balle



- White 84303001
Metal
- Black 84303003
Metal
- GU10 (excl.)
 - IP20
 - Dimmable
 - 300 cm
 - Class 2
- Incl. black + brown leather straps

Measurements	Dimmable	Cable info	Canopy info	Max. W	Masterbox
H: 17 cm, shade Ø: 16,5 cm, shade H: 17,2 cm	Yes, can be dimmed by choosing a dimmable bulb	White/Black Textile Not replaceable	White/Black Plastic 11,8 cm x 7,35 cm	40W	Qty. 3

Strap Floor designed by Bjørn+Balle



- White 46234001
Metal
- Black 46234003
Metal
- E27 (excl.)
 - IP20
 - Not dimmable
 - 180 cm
 - Class 2
- Incl. black + brown leather straps

Measurements	Dimmable	Cable info	Switch	Max. W	Masterbox
H: 153,7 cm, shade Ø: 36 cm, shade H: 34 cm, tube Ø: 1,57 cm	No, cannot be dimmed	White/Black Textile Not replaceable	On the bulb base	40W	Qty. 2

Strap 27 Pendant designed by Bjørn+Balle



- White 84333001
Metal
- Black 84333003
Metal
- Beige 84333009
Metal
- Opal white 84313001
Glass
- E27 (excl.)
 - IP20
 - Dimmable
 - 300 cm
 - Class 2
- Incl. black + brown leather straps

Measurements	Dimmable	Cable info	Canopy info	Max. W	Masterbox
H: 27 cm, shade Ø: 27 cm	Yes, can be dimmed by choosing a dimmable bulb	White/Black Textile Not replaceable	White/Black Plastic 11,8 cm x 7,35 cm	40W	Qty. 3

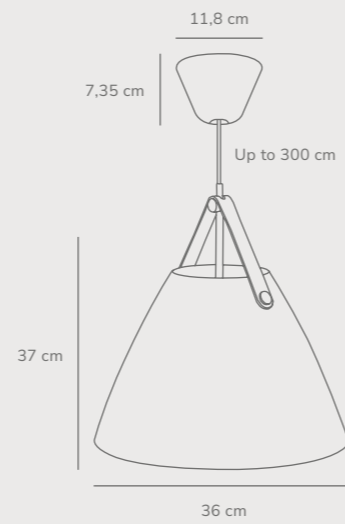
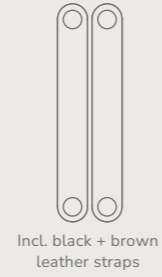
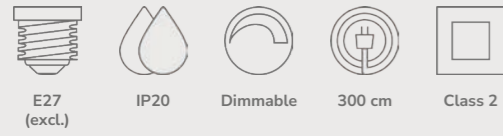
Strap 36 Pendant designed by Bjørn+Balle



White 84343001
Metal

Black 84343003
Metal

Beige 84343009
Metal



Measurements	Dimmable	Cable info	Canopy info	Max. W	Masterbox
H: 37 cm, shade Ø: 36 cm	Yes, can be dimmed by choosing a dimmable bulb	White/Black Textile Not replaceable	White/Black Plastic 11,8 cm x 7,35 cm	40W	Qty. 2

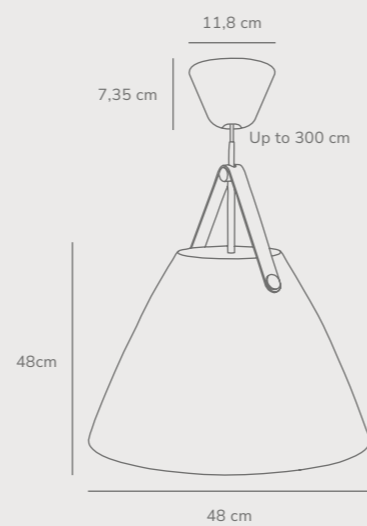
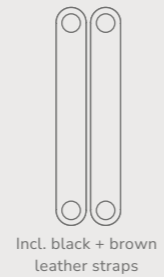
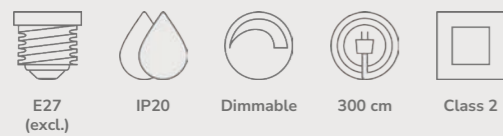
Strap 48 Pendant designed by Bjørn+Balle



White 84353001
Metal

Black 84353003
Metal

Beige 84353009
Metal

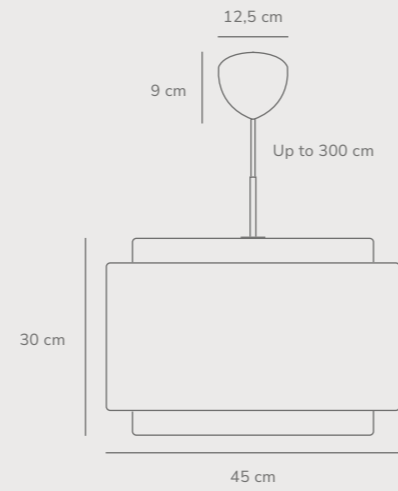
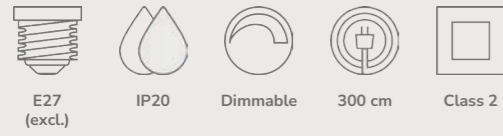


Measurements	Dimmable	Cable info	Canopy info	Max. W	Masterbox
H: 48 cm, shade Ø: 48 cm	Yes, can be dimmed by choosing a dimmable bulb	White/Black Textile Not replaceable	White/Black Plastic 11,8 cm x 7,35 cm	40W	Qty. 1

Takai Pendant designed by Sofie Lefèvre



Beige 2320403018
Textile

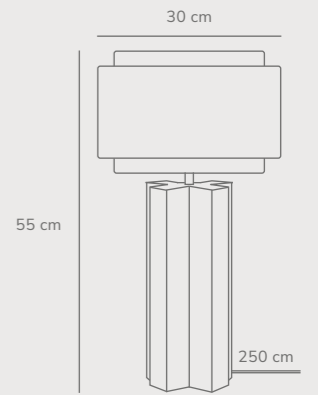
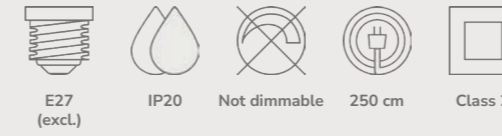


Measurements	Dimmable	Cable info	Canopy info	Max. W	Masterbox
H: 30 cm, shade Ø: 45 cm	Yes, can be dimmed by choosing a dimmable bulb	White Textile Not replaceable	White Metal 12,5 cm x 9 cm	25W	Qty. 2

Takai Table designed by Sofie Lefèvre



Beige 2320445018
Marble/Textile

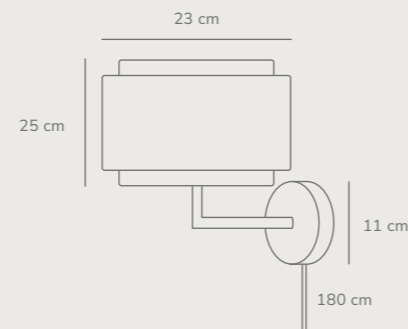
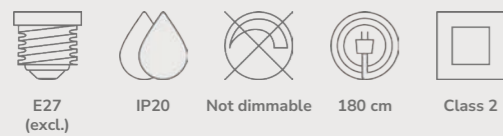


Measurements	Dimmable	Cable info	Switch	Max. W	Masterbox
H: 55 cm, shade Ø: 30 cm	No, cannot be dimmed	White Textile Not replaceable	On the bulb base	25W	Qty. 2

Takai Wall designed by Sofie Lefèvre



Beige 2320421018
Textile



Measurements	Dimmable	Cable info	Switch	Max. W	Masterbox
H: 25 cm, shade Ø: 23 cm, tube Ø: 1,15 cm, wall base: 11 cm	No, cannot be dimmed	White Textile Replaceable	On the bulb base	25W	Qty. 3

Versale 35 Pendant designed by Anker Studio



White 2420013001 Metal
Black 2420013003 Metal
Brown 2420013009 Metal

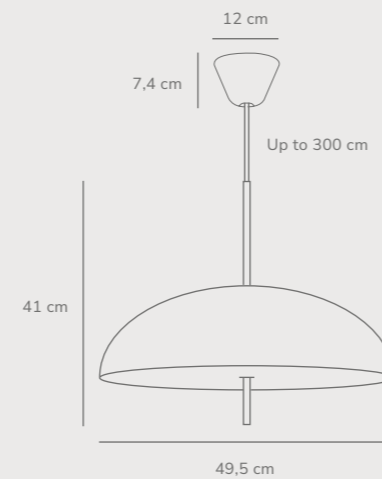


Measurements	Dimmable	Cable info	Canopy info	Max. W	Masterbox
H: 29,5 cm, shade Ø: 35 cm	Yes, can be dimmed by choosing a dimmable bulb	White/Black/Brown Textile Not replaceable	White/Black/Brown Plastic 12,4 cm x 9 cm	2x40W	Qty. 3

Versale 50 Pendant designed by Anker Studio



White 2220053001 Metal
Black 2220053003 Metal
Brown 2220053009 Metal

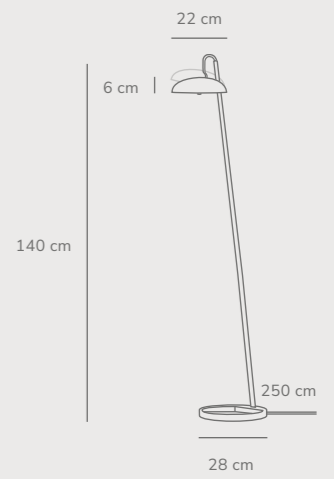


Measurements	Dimmable	Cable info	Canopy info	Max. W	Masterbox
H: 41 cm, W: 49,5 cm, L: 49,5 cm, shade Ø: 49,5 cm, shade H: 41 cm	Yes, can be dimmed by choosing a dimmable bulb	White/Black/Brown Textile Not replaceable	White/Black Plastic 12 cm x 7,4 cm	2x15W	Qty. 3

Versale Floor designed by Anker Studio



White 2220064001 Metal
Black 2220064003 Metal



Measurements	Dimmable	Cable info	Switch	Max. W	Masterbox
H: 140 cm, W: 28 cm, L: 28 cm, shade Ø: 22 cm, shade H: 6 cm, tube Ø: 1,45 cm	No, cannot be dimmed	White/Black Textile Not replaceable	On the cable	3x3W	Qty. 2

Versale Table designed by Anker Studio



White 2220075001 Metal
Black 2220075003 Metal



Measurements	Dimmable	Cable info	Switch	Max. W	Masterbox
H: 45 cm, W: 22 cm, L: 22 cm, shade Ø: 22 cm, shade H: 6 cm, tube Ø: 1,25 cm	No, cannot be dimmed	White/Black Textile Not replaceable	On the cable	3x3W	Qty. 3

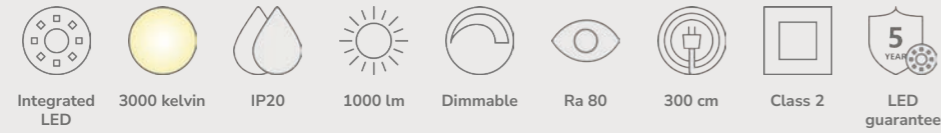
Pendants



Artist 25 Pendant designed by Bønnelycke MDD



Black 83083003 Metal Grey 83083010 Metal Beige 83083009 Metal Copper 83083030 Metal

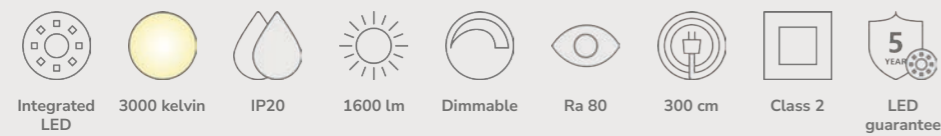


Measurements	Dimmable	Cable info	Canopy info	LED W	Lifespan	Masterbox
H: 6 cm, shade Ø: 25 cm, shade H: 6 cm	Yes, has built-in dimmable light source for wall dimmer	Black/Grey/Beige Textile Not replaceable	Black/Grey/White Plastic 11,4 cm x 8,2 cm	14W	30000 hours	Qty. 2

Artist 40 Pendant designed by Bønnelycke MDD



Black 83093003 Metal Grey 83093010 Metal Beige 83093009 Metal Copper 83093030 Metal

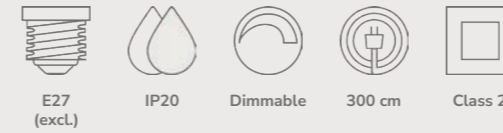


Measurements	Dimmable	Cable info	Canopy info	LED W	Lifespan	Masterbox
H: 6 cm, shade Ø: 40 cm, shade H: 6 cm	Yes, has built-in dimmable light source for wall dimmer	Black/Grey/Beige Textile Not replaceable	Black/Grey/White Plastic 11,4 cm x 8,2 cm	24W	30000 hours	Qty. 1

Aver 30 Pendant designed by Carlo Volf



Black 84243003 Metal



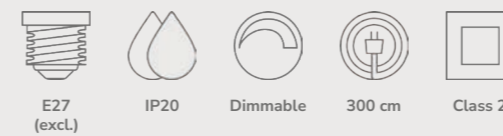
Measurements	Dimmable	Cable info	Canopy info	Max. W	Masterbox
H: 35 cm, shade Ø: 30 cm, shade H: 35 cm	Yes, can be dimmed by choosing a dimmable bulb	Black Textile Not replaceable	Black Plastic 11,8 cm x 7,35 cm	60W	Qty. 2



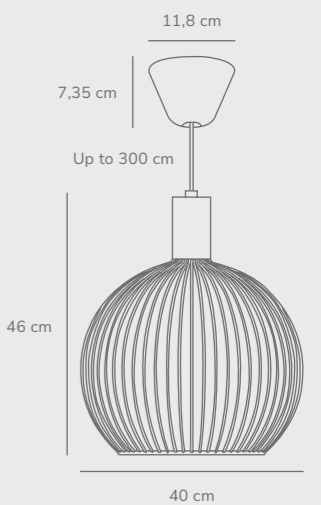
Aver 40 Pendant designed by Carlo Volf



Black 84253003 Metal



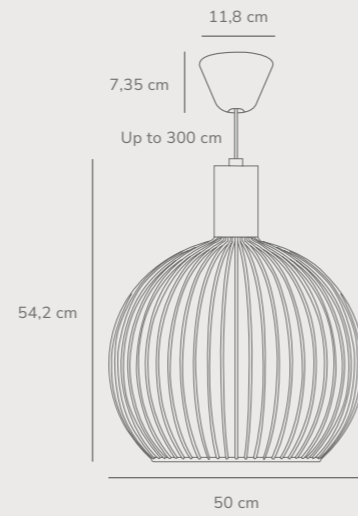
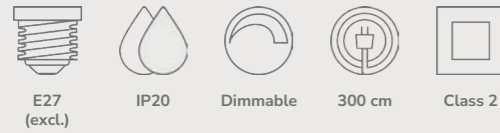
Measurements	Dimmable	Cable info	Canopy info	Max. W	Masterbox
H: 46 cm, shade Ø: 40 cm	Yes, can be dimmed by choosing a dimmable bulb	Black Textile Not replaceable	Black Plastic 11,8 cm x 7,35 cm	60W	Qty. 1



Aver 50 Pendant designed by Carlo Volf



Black 84263003
Metal

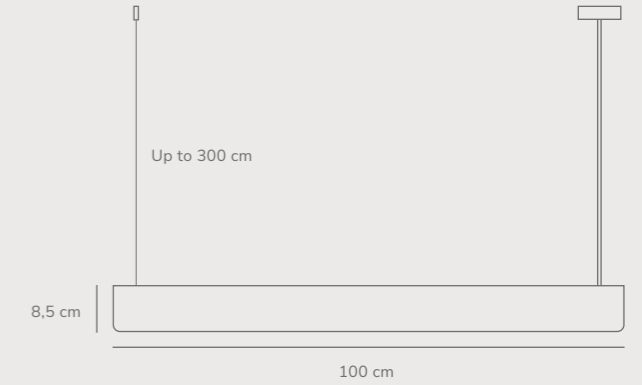
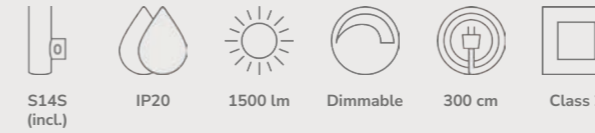


Measurements	Dimmable	Cable info	Canopy info	Max. W	Masterbox
H: 54,2 cm, shade Ø: 50 cm	Yes, can be dimmed by choosing a dimmable bulb	Black Textile Not replaceable	Black Plastic 11,8 cm x 7,35 cm	60W	Qty. 1

Beau 100 Pendant designed by Sofie Lefèvre



Black 2220483003
Metal

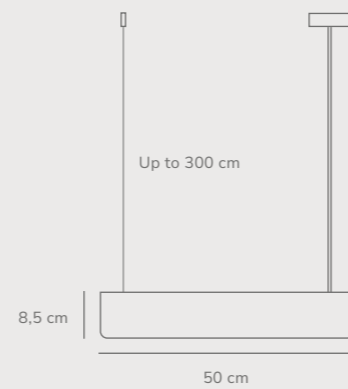


Measurements	Dimmable	Cable info	Max. W	Masterbox
H: 8,5 cm, W: 100 cm, L: 100 cm	Yes, can be dimmed by choosing a dimmable bulb (Incl. bulb is not dimmable)	Black Textile Not replaceable	15W	Qty. 3

Beau 50 Pendant designed by Sofie Lefèvre



Black 2220473003
Metal



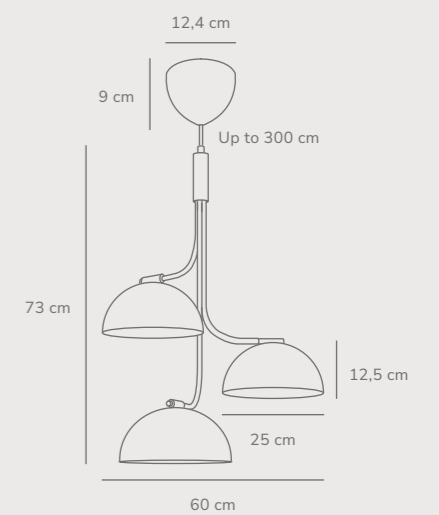
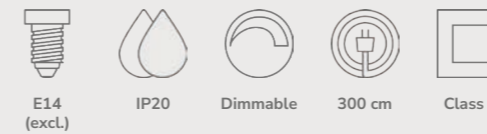
Measurements	Dimmable	Cable info	Max. W	Masterbox
H: 8,5 cm, W: 50 cm, L: 50 cm	Yes, can be dimmed by choosing a dimmable bulb (Incl. bulb is not dimmable)	Black Textile Not replaceable	8W	Qty. 3

Tullio Pendant designed by Anker Studio



White 2220033001
Metal

Black 2220033003
Metal

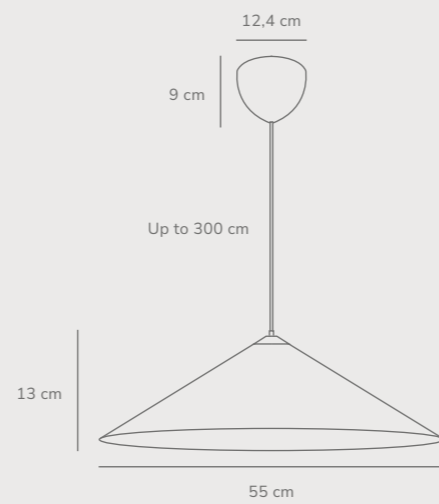


Measurements	Dimmable	Cable info	Canopy info	Max. W	Masterbox
H: 73 cm, W: 60 cm, L: 60 cm, shade Ø: 25 cm, shade H: 12,5 cm, tube Ø: 1,3 cm	Yes, can be dimmed by choosing a dimmable bulb	White/Black Textile Not replaceable	White/Black Metal 12,4 x 9 cm	3x25W	Qty. 1

Hill 55 Pendant designed by Asger Risborg



White 2420073001
Tyvek



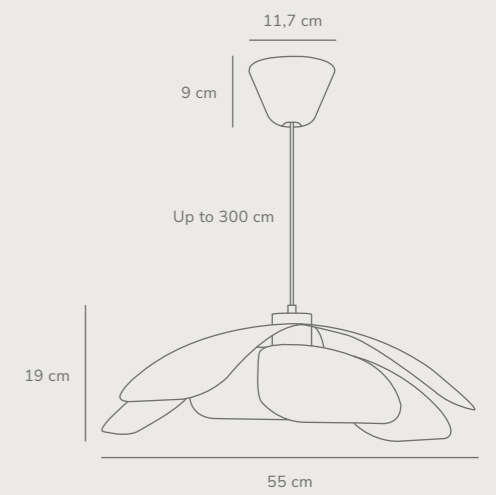
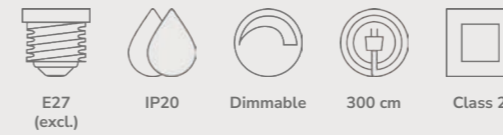
Measurements	Dimmable	Cable info	Canopy info	Max. W	Masterbox
H: 13 cm, shade Ø: 55 cm	Yes, can be dimmed by choosing a dimmable bulb	White Textile Not replaceable	White Metal 12,4 cm x 9 cm	3x15W	Qty. 3

Maple 55 Pendant designed by Charlotte Høncke Design



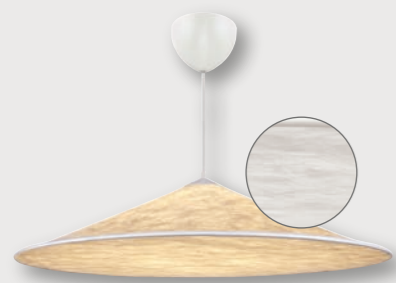
Black 2220293003
Metal

Brown 2220293009
Metal

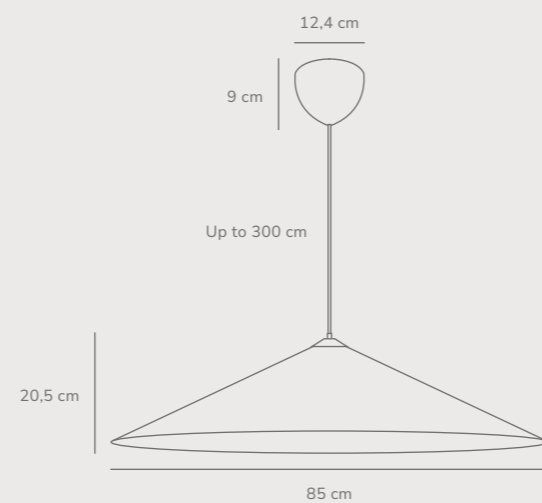
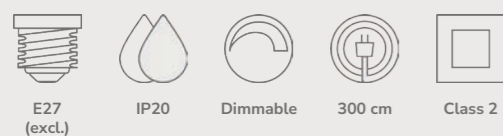


Measurements	Dimmable	Cable info	Canopy info	Max. W	Masterbox
H: 19 cm, W: 55 cm, L: 55 cm, shade Ø: 55 cm	Yes, can be dimmed by choosing a dimmable bulb	Black/White Textile Not replaceable	Black/White Plastic 11,7 x 9 cm	40W	Qty. 3

Hill 85 Pendant designed by Asger Risborg



White 2220103060
Tyvek

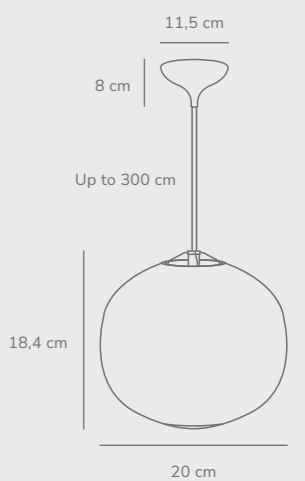
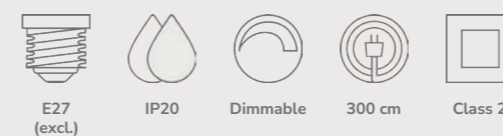


Measurements	Dimmable	Cable info	Canopy info	Max. W	Masterbox
H: 20,5 cm, W: 85 cm, L: 85 cm, shade Ø: 85 cm	Yes, can be dimmed by choosing a dimmable bulb	White Textile Not replaceable	White Metal 12,4 cm x 9 cm	3x25W	Qty. 3

Navone 20 Pendant designed by Sofie Lefèvre



White 2220433001
Glass

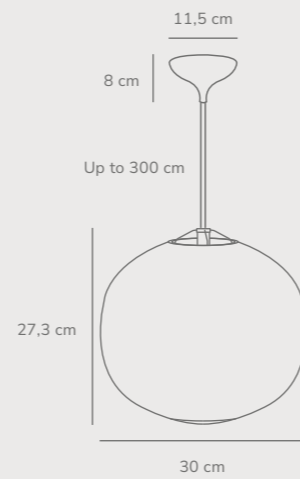


Measurements	Dimmable	Cable info	Canopy info	Max. W	Masterbox
H: 17 cm, shade Ø: 20 cm, shade H: 18,4 cm	Yes, can be dimmed by choosing a dimmable bulb	White Textile Not replaceable	White Plastic 11,5 cm x 8 cm	40W	Qty. 3

Navone 30 Pendant designed by Sofie Lefèvre



White 2220443001
Glass

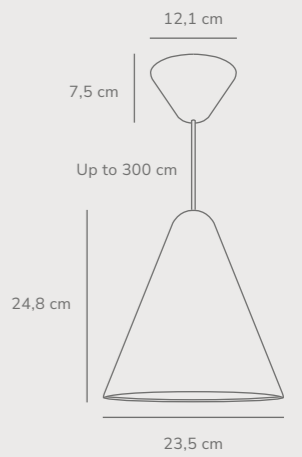


Measurements	Dimmable	Cable info	Canopy info	Max. W	Masterbox
H: 27,3 cm, shade Ø: 30 cm	Yes, can be dimmed by choosing a dimmable bulb	White Textile Not replaceable	White Plastic 11,5 cm x 8 cm	40W	Qty. 2

Nono 23,5 Pendant designed by Bønnelycke MDD



White 2120503001
Metal Black 2120503003
Metal

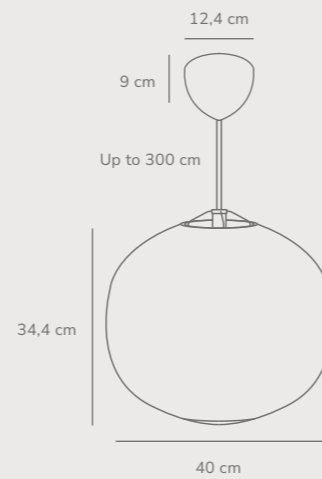
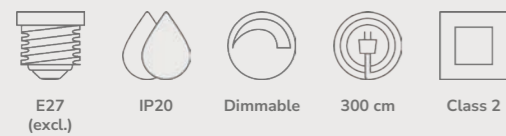


Measurements	Dimmable	Cable info	Canopy info	Max. W	Masterbox
H: 24,8 cm, W: 23,5 cm, L: 23,5 cm, shade Ø: 23,5 cm	Yes, can be dimmed by choosing a dimmable bulb	White/Black Textile Not replaceable	White/Black Plastic 12,1 cm x 7,5 cm	40W	Qty. 3

Navone 40 Pendant designed by Sofie Lefèvre



White 2420103001
Glass

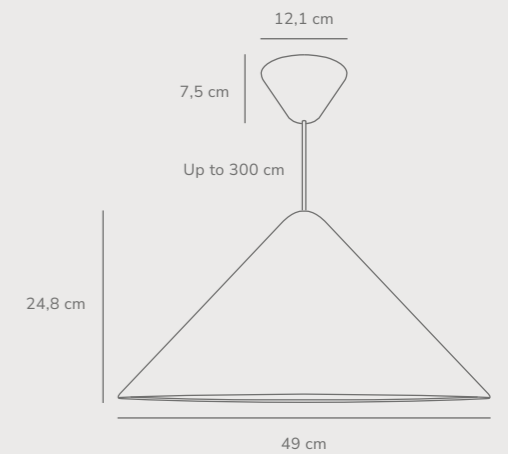


Measurements	Dimmable	Cable info	Canopy info	Max. W	Masterbox
H: 34,4 cm, shade Ø: 40 cm	Yes, can be dimmed by choosing a dimmable bulb	White Textile Not replaceable	White Metal 12,4 cm x 9 cm	40W	Qty. 2

Nono 49 Pendant designed by Bønnelycke MDD



White 2120523001
Metal Black 2120523003
Metal



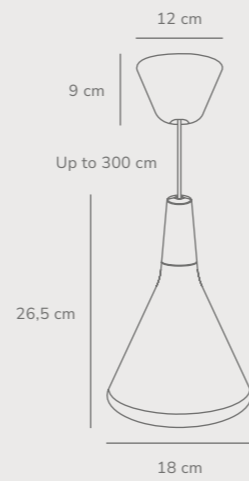
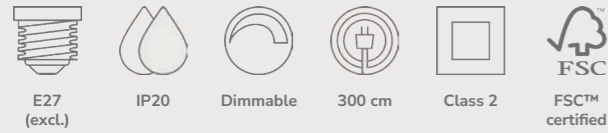
Measurements	Dimmable	Cable info	Canopy info	Max. W	Masterbox
H: 24,8 cm, W: 49 cm, L: 49 cm, shade Ø: 49 cm	Yes, can be dimmed by choosing a dimmable bulb	White/Black Textile Not replaceable	White/Black Plastic 12,1 cm x 7,5 cm	50W	Qty. 3

Nori 18 Pendant designed by Bjørn+Balle



White 2120803001
Metal/Wood

Black 2120803003
Metal/Wood



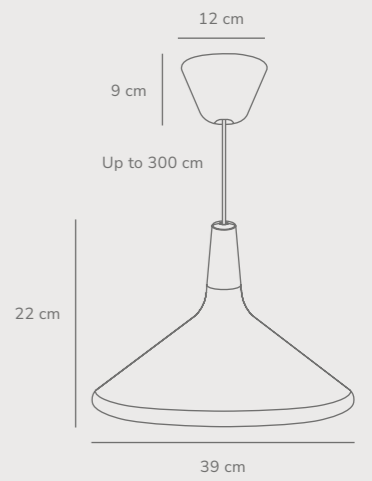
Measurements	Dimmable	Cable info	Canopy info	Max. W	Masterbox
H: 26,5 cm, W: 18 cm, L: 18 cm, shade Ø: 18 cm, shade H: 26,5 cm, Ø: 18 cm	Yes, can be dimmed by choosing a dimmable bulb	White/Black Textile Not replaceable	White/Black Plastic 12 cm x 9 cm	60W	Qty. 3

Nori 39 Pendant designed by Bjørn+Balle



White 2120823001
Metal/Wood

Black 2120823003
Metal/Wood



Measurements	Dimmable	Cable info	Canopy info	Max. W	Masterbox
H: 22 cm, W: 39 cm, L: 39 cm, shade Ø: 39 cm, shade H: 22 cm, Ø: 39 cm	Yes, can be dimmed by choosing a dimmable bulb	White/Black Textile Not replaceable	White/Black Plastic 11,7 cm x 9 cm	40W	Qty. 2

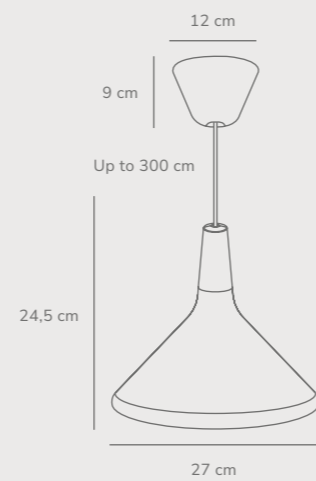
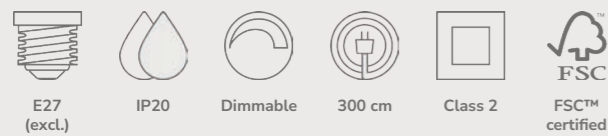
Nori 27 Pendant designed by Bjørn+Balle



White 2120813001
Metal/Wood


Black 2120813003
Metal/Wood

Copper 2120813030
Metal/Wood



Measurements	Dimmable	Cable info	Canopy info	Max. W	Masterbox
H: 24,5 cm, W: 27 cm, L: 27 cm, shade Ø: 27 cm, shade H: 24,5 cm	Yes, can be dimmed by choosing a dimmable bulb	White/Black Textile Not replaceable	White/Black Plastic 11,7 cm x 9 cm	40W	Qty. 3

This season, we have initiated a running change of all our canopies.

They will be changed to this new design: 

We apologise for any inconvenience this may cause during the period of change.

Table lamps



Arcello Portable designed by Bjørn+Balle



Burnished brass 2220155061
Metal/Plastic

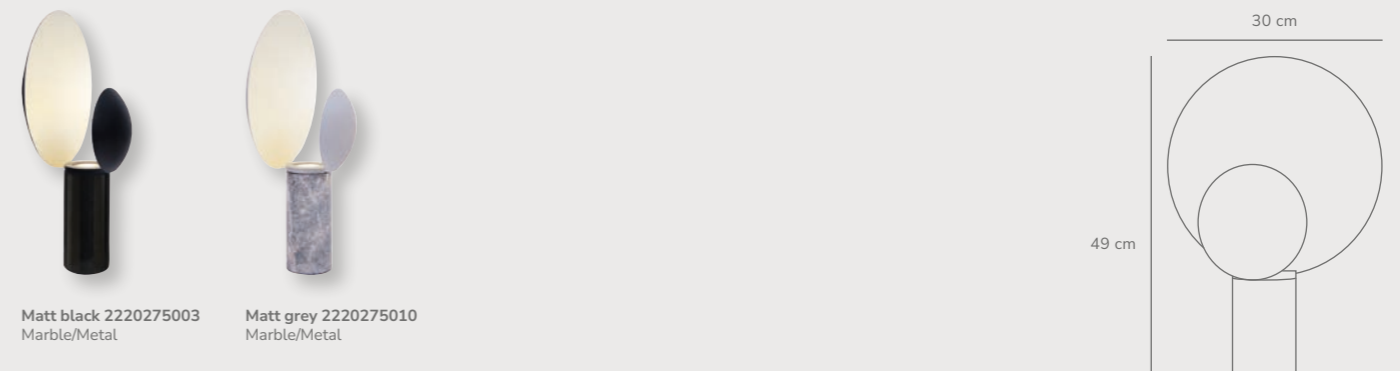
Anthracite 2220155050
Metal/Plastic

1st click on 300lm
2nd click on 200lm
3rd click on 100lm



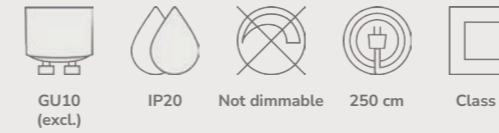
Measurements	Dimmable	Cable info	Switch	LED W	Lifespan	Masterbox
H: 25 cm, W: 14 cm, L: 14 cm, shade Ø: 14 cm	3-step Moodmaker™ 300 lm - 200 lm - 100 lm	Black Plastic Replaceable	Under the base	2,8W	15000 hours	Qty. 3

Caché Table designed by Charlotte Høncke Design



Matt black 2220275003
Marble/Metal

Matt grey 2220275010
Marble/Metal

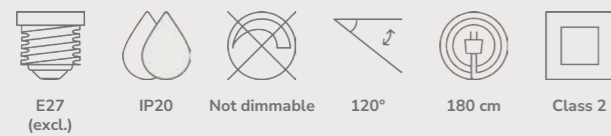


Measurements	Dimmable	Cable info	Switch	Max. W	Masterbox
H: 49 cm, W: 30 cm, L: 30 cm, shade Ø: 30 cm, shade H: 30 cm	No, cannot be dimmed	White/Black Textile Not replaceable	On the cable	40W	Qty. 2

Arki Table designed by Bønnelycke MDD



Black 75145003
Metal



Measurements	Dimmable	Cable info	Switch	Max. W	Masterbox
H: 52 cm, shade Ø: 20 cm, shade H: 20 cm	No, cannot be dimmed	Black Plastic Not replaceable	On the fixture	60W	Qty. 2

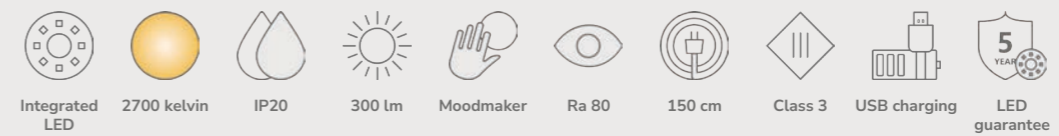
Faye Portable designed by Charlotte Høncke Design



Black 2420155003
Metal

Beige 2420155009
Metal

1st click on 230lm
2nd click on 92lm
3rd click on 23lm

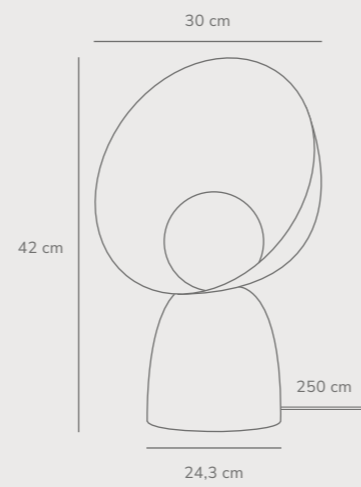


Measurements	Dimmable	Cable info	Switch	LED W	Lifespan	Masterbox
H: 22 cm, shade Ø: 17,3 cm	3-step Moodmaker™ 230 lm - 92 lm - 23 lm	Black/White Plastic	On the base	4,3W	25000 hours	Qty. 3

Hello Table designed by Charlotte Høncke Design



Black 2220215003 Metal
Brown 2220215009 Metal
Grey 2220215010 Metal

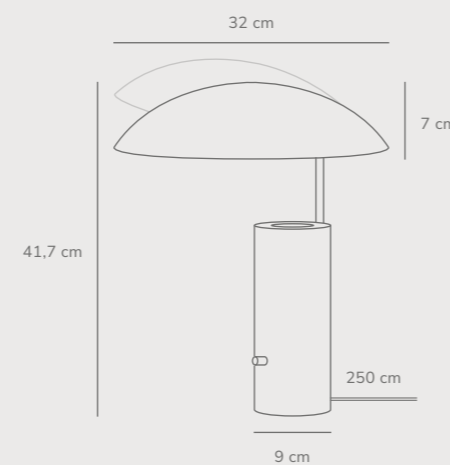


Measurements	Dimmable	Cable info	Switch	Max. W	Masterbox
H: 42 cm, W: 24,3 cm, shade Ø: 30 cm	No, cannot be dimmed	White/Black/Grey Textile Not replaceable	On the cable	25W	Qty. 2

Mademoiselles Table designed by Sofie Lefèvre



White 2220405001 Marble/Metal
Black 2220405003 Marble/Metal

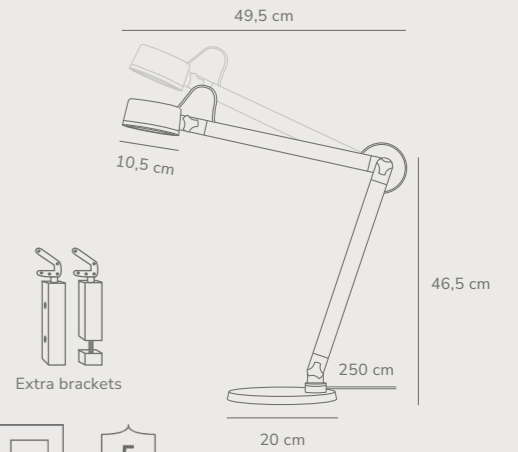
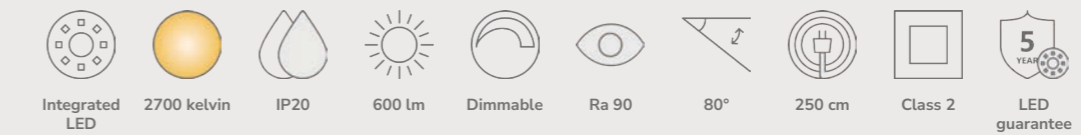


Measurements	Dimmable	Cable info	Switch	Max. W	Masterbox
H: 41,7 cm, shade Ø: 32 cm, shade H: 7 cm, tube Ø: 1,15 cm	No, cannot be dimmed	White/Black Textile Not replaceable	On the base	15W	Qty. 2

Nobu Table designed by Bønnelycke MDD



Black 2120405003 Metal
Grey 2120405010 Metal

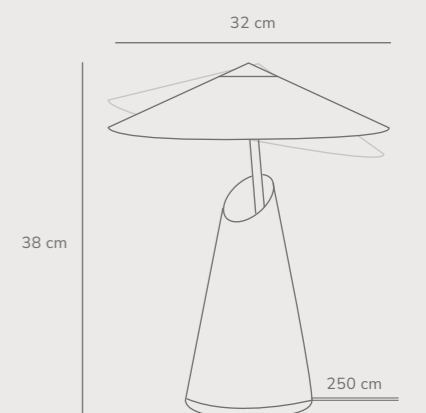
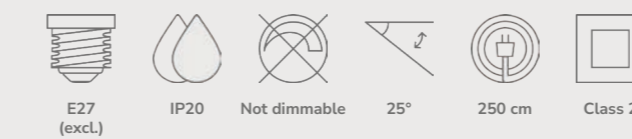


Measurements	Dimmable	Cable info	Switch	LED W	Lifespan	Masterbox
H: 46,5 cm, W: 10,5 cm, L: 49,5 cm, shade Ø: 10,5 cm, shade H: 5 cm, tube Ø: 3 cm	Yes, has built-in dimmable light source with button or touch	Black/Grey Textile Not replaceable	On the fixture	6W	30000 hours	Qty. 2

Taido Table designed by Anker Studio



Chrome 2320375033 Metal
Brown 2320375018 Metal



Measurements	Dimmable	Cable info	Switch	Max. W	Masterbox
H: 38 cm, shade Ø: 32 cm, tube Ø: 1 cm	No, cannot be dimmed	White/Black Textile Not replaceable	On the cable	25W	Qty. 3



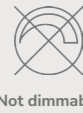
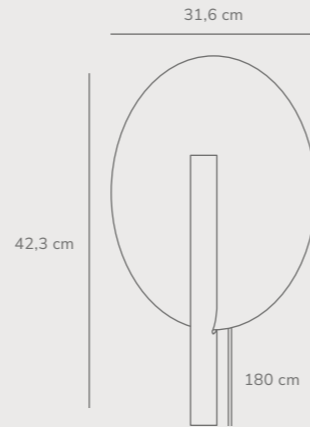
Wall lamps

Furiko Wall designed by Anker Studio



Black 2320241003
Metal

Brushed Brass 2320241035
Metal



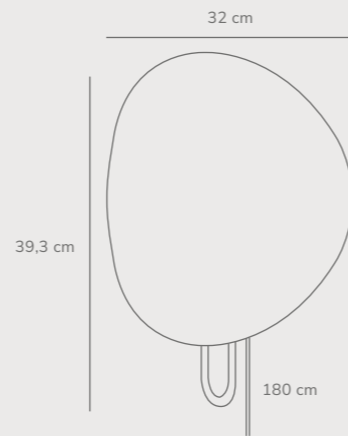
Measurements	Dimmable	Cable info	Switch	Max. W	Masterbox
H: 42,3 cm, shade Ø: 31,6 cm	No, cannot be dimmed	White Textile Not replaceable	On the cable	6W	Qty. 3

Spargo Wall designed by Anker Studio



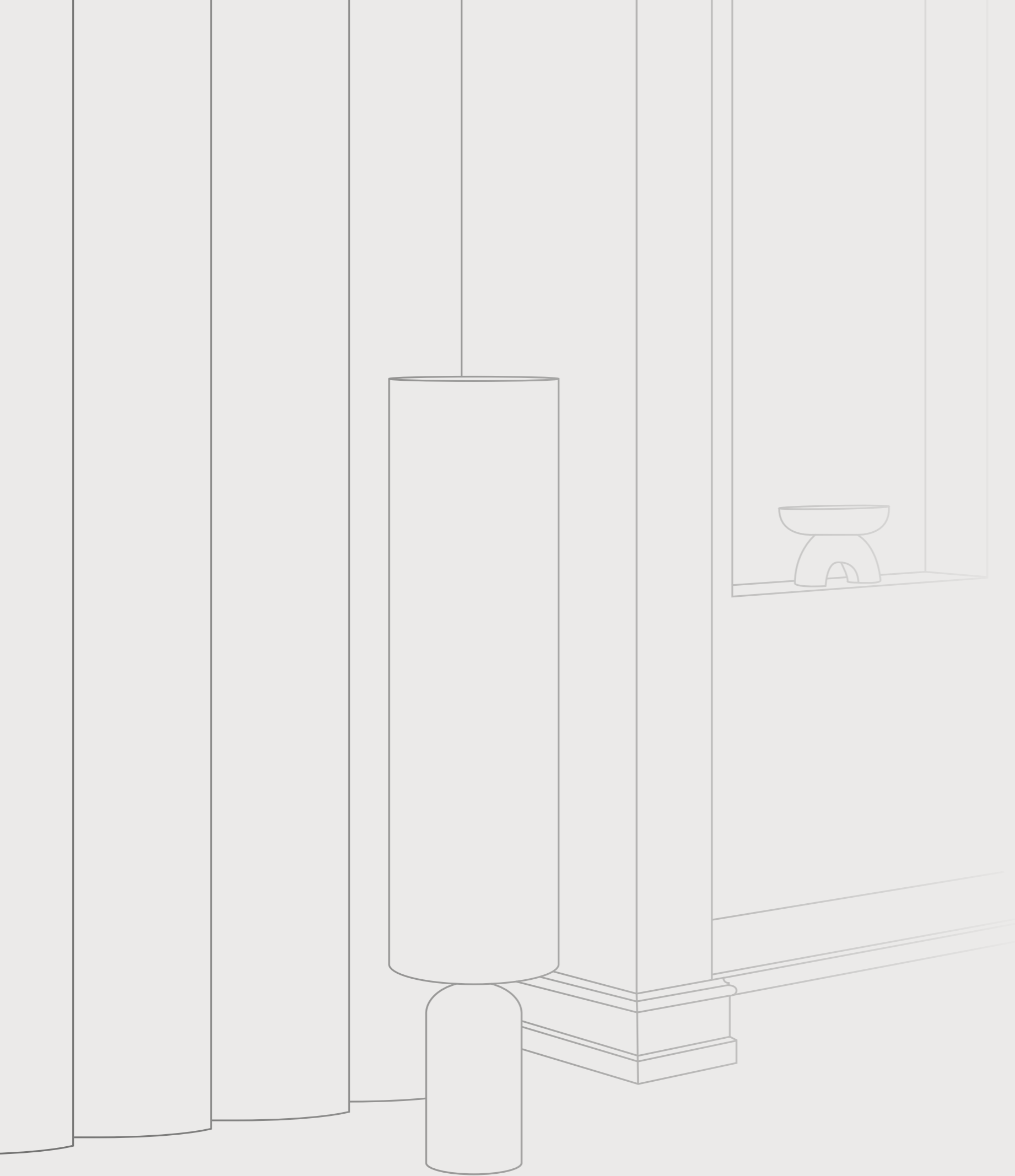
White/Brass 2320361001
Metal

Black/Brass 2320361003
Metal



Measurements	Dimmable	Cable info	Switch	Max. W	Masterbox
H: 39,3 cm, shade Ø: 32 cm	No, cannot be dimmed	White/Black Textile Replaceable	On the cable	25W	Qty. 3

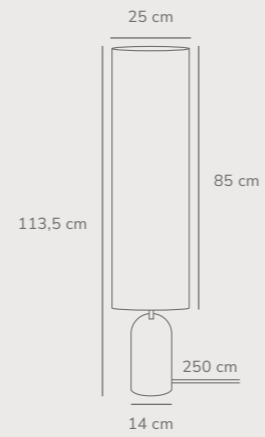
Floor lamps



Talli Floor designed by Anker Studio



Brown 2420054018
Metal/Tyvek

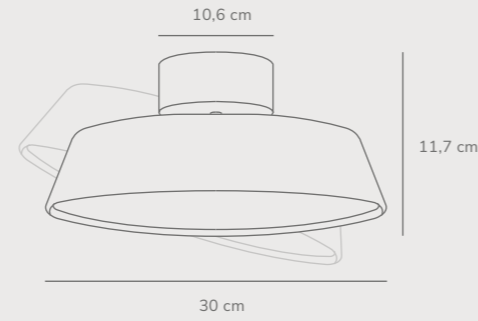
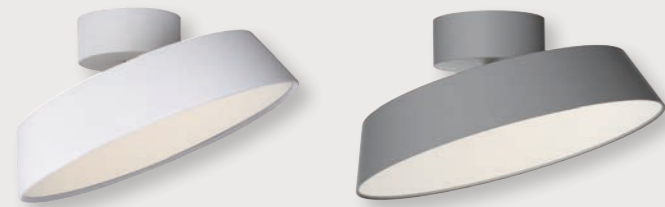


Measurements	Dimmable	Cable info	Switch	Max. W	Masterbox
H: 113,5 cm, shade Ø: 25 cm, shade H: 85 cm, tube Ø: 1,56 cm	No, cannot be dimmed	Black Textile Not replaceable	On the cable	40W	Qty. 3



Ceiling lamps

Kaito Dim Ceiling designed by Bønnelycke MDD



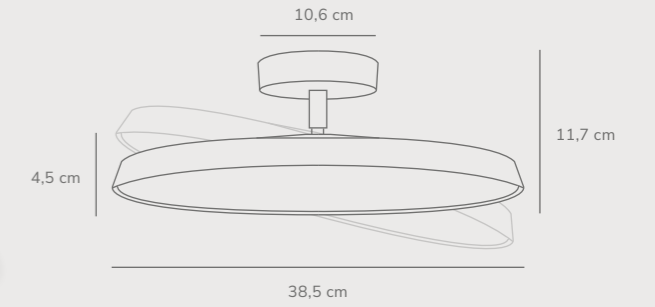
White 2320536001
Metal

Grey 2220506010
Metal



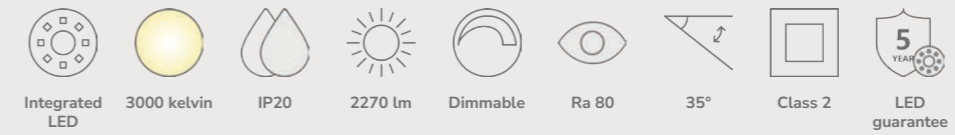
Measurements	Dimmable	Canopy info	LED W	Lifespan	Masterbox
H: 11,7 cm, W: 30 cm, L: 30 cm, shade Ø: 30 cm	Yes, has built-in dimmable light source for wall dimmer	White/Grey Metal 10,6 x 2,5 cm	13W	30000 hours	Qty. 3

Kaito Pro 40 Ceiling designed by Bønnelycke MDD



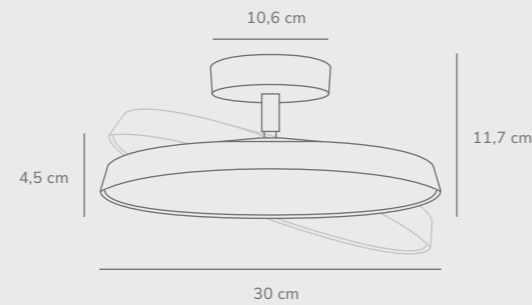
White 2320556001
Metal

Black 2320556003
Metal



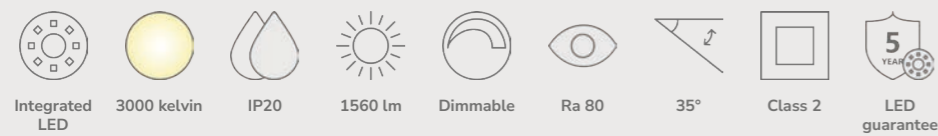
Measurements	Dimmable	Canopy info	LED W	Lifespan	Masterbox
H: 11,7 cm, W: 38,5 cm, L: 38,5 cm, shade Ø: 38,5 cm, shade H: 4,5 cm	Yes, has built-in dimmable light source for wall dimmer	White/Black Metal 10,6 x 2,5 cm	26W	30000 hours	Qty. 3

Kaito Pro 30 Ceiling designed by Bønnelycke MDD



White 2320546001
Metal

Black 2220516003
Metal



Measurements	Dimmable	Canopy info	LED W	Lifespan	Masterbox
H: 11,7 cm, W: 30 cm, L: 30 cm, shade Ø: 30 cm, shade H: 4,5 cm	Yes, has built-in dimmable light source for wall dimmer	White/Black Metal 10,6 x 2,5 cm	18W	30000 hours	Qty. 3

Product index



<i>Model</i>	<i>Item number</i>	<i>Material</i>	<i>Color</i>	<i>EAN</i>	<i>Switch</i>	<i>Page</i>
Align Table	2120095001	Metal	White	5704924004117	On the cable	78
Align Table	2120095003	Metal	Black	5704924004124	On the cable	78
Align Table	2120095010	Metal	Grey	5704924004131	On the cable	78
Align Table	2120095033	Metal	Chrome	5704924013669	On the cable	78
Align Table	2120095018	Metal	Brown	5704924013676	On the cable	78
Align Table	2120095009	Metal	Beige	5704924013683	On the cable	78
Align Table	2120095023	Metal	Green	5704924013690	On the cable	78
Align Table	2120095057	Metal	Rose	5704924013706	On the cable	78
Align Pendant	2320053003	Metal	Black	5704924014291		79
Align Pendant	2320053001	Metal	White	5704924014284		79
Angle E27 Pendant	2020673011	Metal	Grey	5704924003042		79
Angle E27 Pendant	2020673001	Metal	White/Telegrey	5704924003028		79
Angle E27 Pendant	2020673003	Metal	Black	5704924003035		79
Angle GU10 Wall	2120601010	Metal	Grey	5704924004148	On the fixture	80
Angle GU10 Wall	2120601001	Metal	White/Telegrey	5704924004162	On the fixture	80
Angle GU10 Wall	2120601003	Metal	Black	5704924004155	On the fixture	80
Angle Clamp lamp	2220362010	Metal	Grey	5704924010002	On the cable	80
Angle Clamp lamp	2220362001	Metal	White/Telegrey	5704924010200	On the cable	80
Angle Clamp lamp	2220362003	Metal	Black	5704924010217	On the cable	80
Arcello Table	2220155061	Metal	Burnished brass	5704924010040	Under the base	124
Arcello Table	2220155050	Metal	Anthracite	5704924010187	Under the base	124
Arki Table	75145003	Metal	Black	5701581279872	On the fixture	124
Artist 25 Pendant	83083010	Metal	Grey	5701581301085		112
Artist 25 Pendant	83083009	Metal	Beige	5704924002458		112
Artist 25 Pendant	83083030	Metal	Copper	5701581301184		112
Artist 25 Pendant	83083003	Metal	Black	5701581345485		112
Artist 40 Pendant	83093030	Metal	Copper	5701581301382		112
Artist 40 Pendant	83093009	Metal	Beige	5704924002465		112
Artist 40 Pendant	83093010	Metal	Grey	5701581301283		112
Artist 40 Pendant	83093003	Metal	Black	5701581345584		112
Aver 30 Pendant	84243003	Metal	Black	5701581337183		113
Aver 40 Pendant	84253003	Metal	Black	5701581337282		113
Aver 50 Pendant	84263003	Metal	Black	5701581337381		114
Beau 50 Pendant	2220473003	Metal	Black	5704924010194		114
Beau 100 Pendant	2220483003	Metal	Black	5704924010248		115
Caché Table	2220275010	Marble	Grey	5704924010088	On the cable	125
Caché Table	2220275003	Marble	Black	5704924009990	On the cable	125

<i>Model</i>	<i>Item number</i>	<i>Material</i>	<i>Color</i>	<i>EAN</i>	<i>Switch</i>	<i>Page</i>
Darci Wall	2120551003	Metal	Black	5704924004247	On the fixture	82
Darci Table	2120565003	Metal	Black	5704924004254	On the base	81
Darci Floor	2120584003	Metal	Black	5704924004261	On the cable	81
Darci Short Wall	2320221003	Metal	Black	5704924014420	On the wall base	82
Fabiola Pendant	2220223003	Metal	Black	5704924009969		83
Fabiola Wall	2220231003	Metal	Black	5704924010255	On the base	84
Fabiola Table	2220245003	Metal	Black	5704924010149	On the cable	83
Faye Portable Table	2420155003	Metal	Black	5704924018305	On the base	125
Faye Portable Table	2420155009	Metal	Beige	5704924018312	On the base	125
Furiko Wall	2320241003	Metal	Black	5704924014444	On the cable	130
Furiko Wall	2320241035	Metal	Brushed Brass	5704924014437	On the cable	130
Glossy Table	2020505001	Marble	Opal white	5704924001024	On the cable	84
Glossy Table	2020505010	Marble	Grey	5704924009358	On the cable	84
Glossy Floor	2220344001	Glass	White	5704924010118	On the cable	85
Hello Table	2220215003	Metal	Black	5704924010057	On the cable	126
Hello Table	2220215009	Metal	Brown	5704924010125	On the cable	126
Hello Table	2220215010	Metal	Grey	5704924009921	On the cable	126
Hill Pendant	2220103060	Tyvek	White	5704924009945		116
Hill 55 Pendant	2420073001	Tyvek	White	5704924018299		116
Kaito Dim Ceiling	2220506010	Metal	Grey	5704924011399		138
Kaito Dim Ceiling	2320536001	Metal	White	5704924011382		138
Kaito Pro 30 Ceiling	2220516003	Metal	Black	5704924011412		138
Kaito Pro 30 Ceiling	2320546001	Metal	White	5704924011405		138
Kaito Pro 40 Ceiling	23205560013	Metal	Black	5704924011436		139
Kaito Pro 40 Ceiling	2320556001	Metal	White	5704924011429		139
Mademoiselles Table	2220405003	Marble	Black	5704924010163	On the base	126
Mademoiselles Table	2220405001	Marble	White	5704924010170	On the base	126
Maple 55 Pendant	2220293003	Metal	Black	5704924010019		117
Maple 55 Pendant	2220293009	Metal	Brown	5704924010262		117
MIB Ceiling	2020666001	Metal	White	5704924002427		87
MIB Ceiling	2020666003	Metal	Black	5704924002434		87
MIB 6 Wall	61681003	Metal	Black	5704924000409	On the wall base	88
MIB 6 Wall	61681001	Metal	White	5704924000393	On the wall base	88
MIB 6 Table	71655003	Metal	Black	5701581364189	On the fixture	86
MIB 6 Table	71655001	Metal	White	5701581364080	On the fixture	86
MIB 6 Pendant	71679901	Metal	White	5701581332485		86
MIB 6 Pendant	71679903	Metal	Black	5701581324084		86

<i>Model</i>	<i>Item number</i>	<i>Material</i>	<i>Color</i>	<i>EAN</i>	<i>Switch</i>	<i>Page</i>
MIB 6 Floor	71704003	Metal	Black	5701581364387	On the fixture	87
MIB 6 Floor	71704001	Metal	White	5701581364288	On the fixture	87
Navone Pendant	2220433001	Glass	White	5704924010071		117
Navone Pendant	2220443001	Glass	White	5704924010132		118
Navone 40 Pendant	2420103001	Glass	White	5704924018275		118
Nexus 2.0 Small Pendant	2020563003	Metal	Black	5704924002335		88
Nexus 2.0 Small Pendant	2020563001	Metal	White/Telegrey	5704924002328		88
Nexus 2 Pendant	2020583001	Metal	White/Telegrey	5704924002342		89
Nexus 2 Pendant	2020583003	Metal	Black	5704924002359		89
Nexus 2 Wall	2020601003	Metal	Black	5704924002373	On the fixture	90
Nexus 2 Wall	2020601001	Metal	White/Telegrey	5704924002366	On the fixture	90
Nexus 2 Table	2020625001	Metal	White/Telegrey	5704924002380	On the fixture	89
Nexus 2 Table	2020625003	Metal	Black	5704924002397	On the fixture	89
Nexus 2 Floor	2020644003	Metal	Black	5704924002410	On the fixture	90
Nexus 2 Floor	2020644001	Metal	White/Telegrey	5704924002403	On the fixture	90
Nobu Table	2120405010	Metal	Grey	5704924000959	On the fixture	127
Nobu Table	2120405003	Metal	Black	5704924000942	On the fixture	127
Nomi Pendant	2220163003	Metal	Black	5704924013652		91
Nomi Wall	2220171003	Metal	Black	5704924009952	On the base	91
Nomi Floor	2220194003	Metal	Black	5704924010231	On the fixture	92
Nono 23,5 Pendant	2120503001	Metal	White	5704924004285		119
Nono 23,5 Pendant	2120503003	Metal	Black	5704924004308		119
Nono 49 Pendant	2120523001	Metal	White	5704924004278		119
Nono 49 Pendant	2120523003	Metal	Black	5704924004292		119
Nori 18 Pendant	2120803003	Metal	Black	5704924006470		120
Nori 18 Pendant	2120803001	Metal	White	5704924005770		120
Nori 27 Pendant	2120813003	Metal	Black	5704924006487		120
Nori 27 Pendant	2120813030	Metal	Copper	5704924005817		120
Nori 27 Pendant	2120813001	Metal	White	5704924005800		120
Nori 39 Pendant	2120823003	Metal	Black	5704924006500		121
Nori 39 Pendant	2120823001	Metal	White	5704924006494		121
Pure 20 Pendant	43293001	Metal	White	5701581394780		93
Pure 20 Pendant	43293010	Metal	Grey	5701581394988		93
Pure 20 Pendant	43293003	Metal	Black	5701581394889		93
Pure Wall	78271011	Metal	Grey	5701581308480	On the base	93
Pure Wall	78271003	Metal	Black	5701581308381	On the base	93
Pure Wall	78271001	Metal	White	5701581308282	On the base	93

<i>Model</i>	<i>Item number</i>	<i>Material</i>	<i>Color</i>	<i>EAN</i>	<i>Switch</i>	<i>Page</i>
Pure Pendant	78283003	Metal	Black	5701581264588		92
Pure Pendant	78283001	Metal	White	5701581264489		92
Pure Pendant	78283011	Metal	Grey	5701581264687		92
Rochelle Pendant	2320283003	Metal	Black	5704924014505		94
Rochelle Wall	2320301003	Metal	Black	5704924015410	On the base	94
Rochelle Floor	2320314003	Metal	Black	5704924015427	On the cable	95
Shapes 22 Pendant	2120013035	Glass	Brass	5704924004070		95
Shapes 27 Pendant	2120023035	Glass	Brass	5704924004087		96
Shapes Table	2120055035	Glass	Brass	5704924004094	On the cable	96
Shapes Floor	2120074035	Glass	Brass	5704924004100	On the cable	97
Shapes Wall	2320321035	Metal	Brass	5704924014512	On the cable	97
Spargo Wall	2320361001	Metal	White/Brass	5704924014543	On the cable	130
Spargo Wall	2320361003	Metal	Black/Brass	5704924014550	On the cable	130
Stay Long Table	2020445003	Aluminium	Black	5704924000966	On the fixture	98
Stay Wall	2020455003	Aluminium	Black	5704924000980	On the fixture	99
Stay Floor	2020464003	Aluminium	Black	5704924001000	On the fixture	100
Stay 3-Spot Pendant	2120703003	Aluminium	Black	5704924004193		98
Stay Wall	2220381010	Aluminium	Grey	5704924010064	On the fixture	99
Stay Wall	2220381003	Aluminium	Black	5704924010156	On the fixture	99
Strap 16 9G Pendant	2020013001	Glass	Opal white	5704924000379		100
Strap Table	46205003	Metal	Black	5701581397187	On the bulb base	101
Strap Table	46205001	Metal	White	5701581397088	On the bulb base	101
Strap Floor	46234001	Metal	White	5701581397286	On the bulb base	102
Strap Floor	46234003	Metal	Black	5701581397385	On the bulb base	102
Strap 15 Wall	84291003	Metal	Black	5701581364783	On the base	102
Strap 15 Wall	84291001	Metal	White	5701581364684	On the fixture	102
Strap 16 Pendant	84303001	Metal	White	5701581364882		103
Strap 16 Pendant	84303003	Metal	Black	5701581364981		103
Strap 27 Pendant	84313001	Glass	Opal white	5701581337688		103
Strap 27 Pendant	84333001	Metal	White	5701581337787		103
Strap 27 Pendant	84333003	Metal	Black	5701581337886		103
Strap 27 Pendant	84333009	Metal	Beige	5701581485389		103
Strap 36 Pendant	84343001	Metal	White	5701581338180		104
Strap 36 Pendant	84343009	Metal	Beige	5701581485488		104
Strap 36 Pendant	84343003	Metal	Black	5701581338289		104
Strap 48 Pendant	84353003	Metal	Black	5701581338685		104
Strap 48 Pendant	84353009	Metal	Beige	5701581485587		104

<i>Model</i>	<i>Item number</i>	<i>Material</i>	<i>Color</i>	<i>EAN</i>	<i>Switch</i>	<i>Page</i>
Strap 48 Pendant	84353001	Metal	White	5701581338586		104
Taido Table	2320375033	Metal	Chrome	5704924014574	On the cable	127
Taido Table	2320375018	Metal	Brown	5704924014567	On the cable	127
Takai Pendant	2320403018	Stainless steel	Beige	5704924015441		106
Takai Wall	2320421018	Stainless steel	Beige	5704924015458	On the bulb base	106
Takai Table	2320445018	Marble	Beige	5704924014581	On the bulb base	107
Talli Floor	2420054018	Tyvek/Metal	Brown	5704924018282	On the cable	134
Tullio Pendant	2220033003	Metal	Black	5704924009976		115
Tullio Pendant	2220033001	Metal	White	5704924010316		115
Versale Pendant	2220053003	Metal	Black	5704924010026		108
Versale Pendant	2220053001	Metal	White	5704924009907		108
Versale Pendant	2220053009	Metal	Brown	5704924010309		108
Versale Floor	2220064003	Metal	Black	5704924010224	On the cable	109
Versale Floor	2220064001	Metal	White	5704924010286	On the cable	109
Versale Table	2220075003	Metal	Black	5704924010101	On the cable	109
Versale Table	2220075001	Metal	White	5704924010293	On the cable	109
Versale 35 Pendant	2420013003	Metal	Black	5704924018251		108
Versale 35 Pendant	2420013009	Metal	Brown	5704924018268		108
Versale 35 Pendant	2420013001	Metal	White	5704924018244		108

Showroom & Headquarters

Østre Havnegade 34
DK 9000 Aalborg
T + 45 98 18 16 11
Denmark: salg@nordlux.com
Other markets: export@nordlux.com
nordlux.com

Benelux Office & Showroom

Mouterij 14
BE-2550 Kontich
T +32 (0)15 25 76 40
service@energeticlighting.eu

Netherlands

T +31 (0) 1838 90350
netherlands@nordlux.com

Portugal

T +351 917563792
export@nordlux.com

France

T +33 320 479 346
france@nordlux.com

Germany, Austria & Switzerland

T +49 (0) 21 52 89 87 37
F +49 (0) 21 52 14 85 54
germany@nordlux.com

Norway

T +47 51 88 63 18
norway@nordlux.com

Sweden

+46 (0)52-64 56 110
sweden@nordlux.com

UK & Eire

T +44 (0) 12 00 42 27 77
salesuk@nordlux.com

Der tages forbehold for ændringer m.h.t. tekniske specifikationer, design og collistørrelser.

Vi förbehåller oss för ändring med hänsyn till tekniske specifikationer, design och collistorlek.

We reserve the right to changes as to technical specifications, design and number of packages.

Wir nehmen Vorbehalt für Änderungen bezgl. technischer Spezifikationen, Design und Verpackungseinheiten.

Nous nous réservons le droit de modifier toute documentation technique, design et colisage.

We behouden ons het recht om technische specificaties, ontwerp en verpakingsaantal te wijzigen zonder voorafgaande kennisgeving.

nordlux.com

instagram @dftpglobal

pinterest @dftpglobal

